



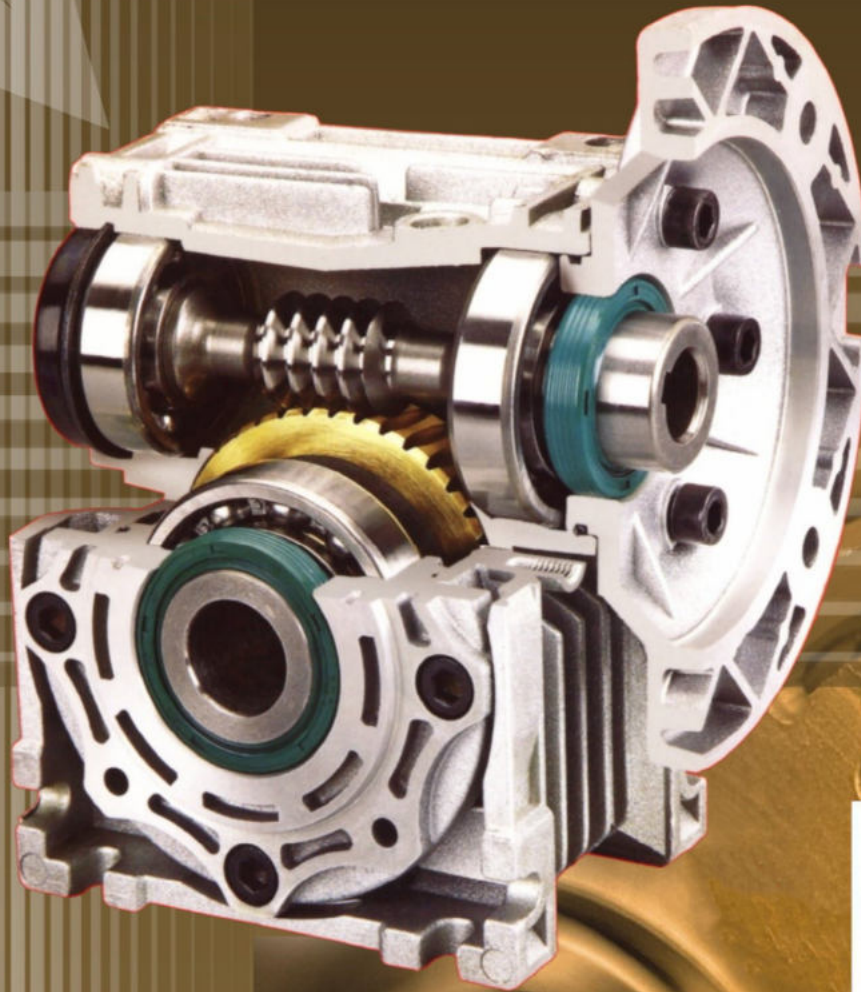
**DOLIN**<sup>®</sup>  
品質. 服務. 創新



**DONG LING**<sup>®</sup>  
QUALITY . SERVICE . INNOVATION



中空型蝸輪減速機系列  
NMRV/NRV WORM REDUCER SERIES



專業製造廠



台灣東菱精密減速機有限公司

Taiwan Dong Ling M&E Technology Manufacture CO.,LTD



# 敬業、務實、團結、拚搏

Devoted Career、Pragmatic、United、Efforts

- 企業目標：做精、做強、做大  
Business Objective: Refined, Strong, Large
- 經營理念：質量第一、服務真誠、不斷創新  
Management Philosophy: First Quality, Sincere Service, Vncreasing Innovation
- 質量觀：質量是品牌的基石、品牌是企劃的生命  
Values: Quality is foundation stone of brand, Brand is life of business
- 營銷理念：以市場為導向、以質量求生存、以信譽求發展  
Marketing Philosophy: Market-Oriented, Living is in quality, Developing is in reputation



台灣東菱集團公司  
TAIWAN DONG LING GROUP COLTD



專業製造廠  
Professional manufacturing factory

# 企業簡介

# Company Biography

- 1988 東菱機電台灣公司創立  
DOLIN was established in Taiwan.
- 2003 通過ISO9001:2000質量管理體系認證  
Acquired ISO9001:2000 Quality Management System Certificate.  
通過首批強制性產品(CCC)認證  
Acquired CCC Certification.
- 2004 首次推出高精度生產設備系列：分條機、複卷機、分切機、以及薄膜貼合機  
Introduced new precision-machinery series: Slitting Machines, Rewinding Machines, Cutting Machines, and Laminating Machines.
- 2011 東菱企業更趨壯大穩固，成為擁有超過 200 員工的中型企業。  
我們的產品市場遍布整個中國大陸、台灣，以及東南亞等地區。  
DOLIN has developed steadily and become a medium-size manufacturer with more than 200 professional employees.  
Our market has expanded all over mainland China, Taiwan area and other countries and regions in Southeast Asia.
- 2012 東菱集团在越南平阳省設立分公司。越南東菱責任有限公司  
Dolin Group established a branch in Vietnam, Binh Duong province. Dong Ling M&E Technology Manufacture CO.LTD
- 2016 東菱集团在越南河內成立分公司。河內分公司  
Dolin Group established a branch in Vietnam, Ha Noi province. Branch in Hanoi

至今 東菱企業不斷致力於服務客戶，可信賴的產品品質已成為東菱不可抹滅的品牌形象並帶領我們的產品迎向全世界。  
Currently DOLIN does not stop trying our best to serve customers. Our quality and reliability have strongly consolidated our brand reputation and brought our products to worldwide markets.

## ● 通過ISO9001:2000品質認證

ISO9001:2000 quality management system certification

## ● 通過國家強制性產品認證

"CCC" certification



## 目錄索引 Contents

減速機的工作係數和安裝注意事項	Service factor & Installation notice	-----	4
蝸輪減速機	Worm geared motors and word gear units	-----	5
電機直聯尺寸	Predisposition	-----	7
嚙合參數表	Mesh data	-----	8
RV性能參數	RV Performance	-----	9
NMRV/NRV型號標記	NMRV/NRV Model & marker	-----	12
NMRV外型尺寸	NMRV Dimensions	-----	16
NRV外型尺寸	NRV Dimensions	-----	25
NMRV英制系列	NMRV Inch series	-----	27
NMRV-NVRV型號標記	NMRV-NMRV Model & marker	-----	32
NMRV-NMRV參數表	NMRV-NMRV Parameter table	-----	34
NMRV-NMRV外型尺寸	NMRV-NMRV Dimensions	-----	35
NRV-NVRV外型尺寸	NRV-NMRV Dimensions	-----	38
PAM外型尺寸	PAM Dimensions	-----	39

## 參數符號對應表 Parameter & symbol contrast table

<b>P</b> =功率 <b>Power (kw)</b>	<b>1</b> =輸入軸 <b>Input shaft</b>
<b>M</b> =扭力 <b>Torque (Nm)</b>	<b>2</b> =輸出軸 <b>Output shaft</b>
<b>n</b> =速度 <b>Speed (rpm)</b>	<b>r</b> =徑向 <b>Radial</b>
<b>i</b> =減速比 <b>Ratio</b>	<b>a</b> =軸向 <b>Axial</b>
<b>F</b> =負荷 <b>Load (N)</b>	<b>s</b> =靜態 <b>Statical</b>
<b>m</b> =重量 <b>Weight (kg)</b>	<b>d</b> =動態 <b>Dynamic</b>
<b>η</b> =效率 <b>Efficiency</b>	<b>max</b> =最大值
<b>γ</b> =前置角 <b>Helix angle</b>	<b>min</b> =最小值
<b>f.s.</b> =工作係數 <b>Service factor</b>	

## 參數減速機工作係數 Service factor

減速機的工作係數(f.s.)主要取決於減速機的運作條件,其決定因素為

1. 減速機的負荷形式: A - B - C
2. 工作時間: 小時 / 天( $\Delta$ )
3. 開機頻率: 次 / 小時(\*)

減速機的三種符合形式:

1. A: 均等負荷  $fa \leq 0.3$
2. B: 中等負荷  $fa \leq 3$
3. C: 重量負荷  $fa \leq 10$

$$Fa = Je / Jm$$

—  $Je(kgm^2)$ : 在電機軸上發生衰降的慣性矩

—  $Jm(kgm^2)$ : 電機慣性矩

注意:  $fa > 10$ 時與技術服務部聯系

The service factor(f.s.)depends on the operating conditions the gearbox is subjected to. Following parameters need to be take to select the right service factor.

- type of load of the operating machine A -B -C
- length of daily operating time : hours/day(  $\Delta$  )
- start-up frequency : starts/hour (\*)

TYPE OF LOAD : A-uniform,  $fa \leq 0.3$

B-moderate shocks,  $fa \leq 3$

C-heavy shocks,  $fa \leq 10$

$$fa = Jex / Jm$$

—  $Je(kgm^2)$  moment of the external inertia reduced at the drive shaft

—  $Jm(kgm^2)$  moment of inertia of motor

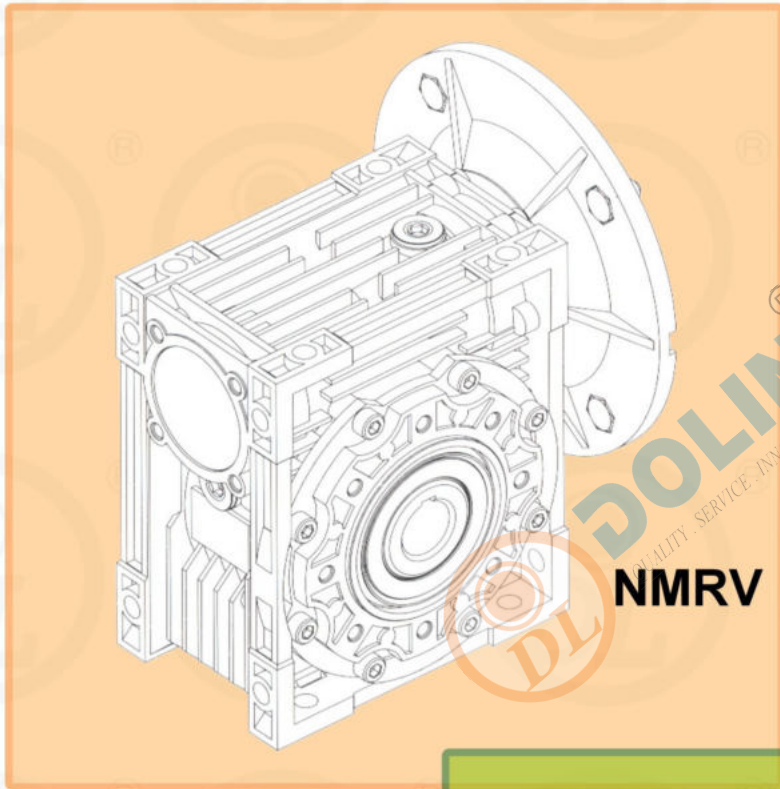
	24	16	8	2	◀	▶									
2.3	2	1.8	1.6												
2.2	1.9	1.7	1.5			C									
2.1	1.8	1.6	1.4												
2	1.7	1.5	1.3			B									
1.9	1.6	1.4	1.2												
1.8	1.5	1.3	1.1			A									
1.7	1.4	1.2	1												
1.6	1.3	1.1	0.9												
1.5	1.2	1	0.8												
	f.s.				5	10	20	30	40	50	60	70	80	90	100

## 安裝注意事項 To install the reduction unit it is necessary to note the following recommendations

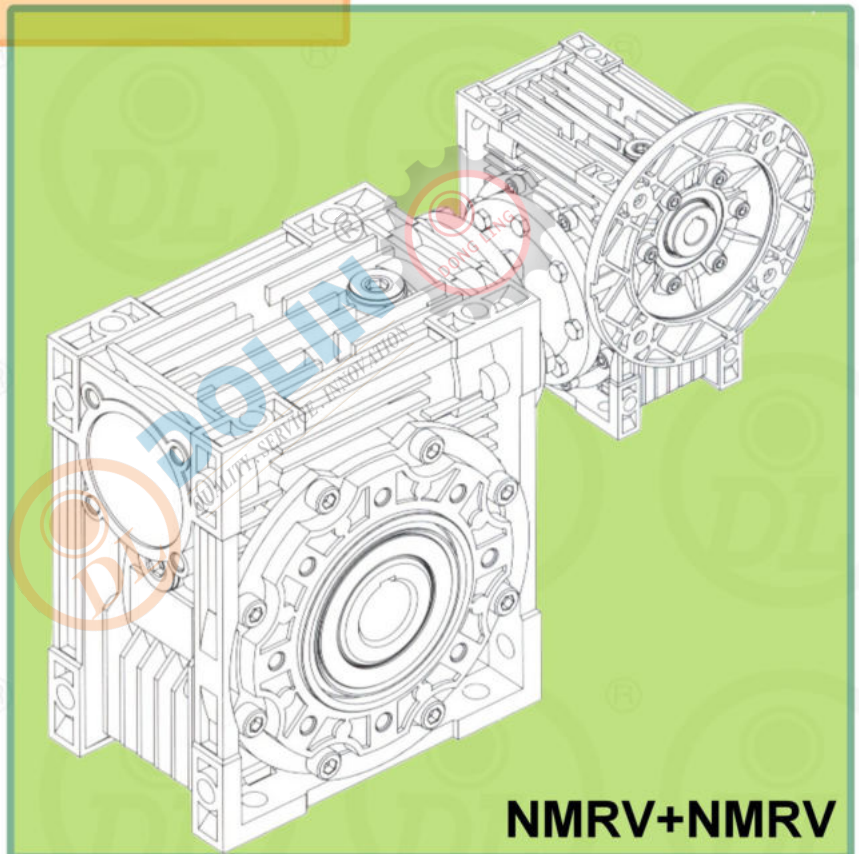
- 減速機要平穩安裝, 避免震動。
- 與機器裝配備, 請檢查減速機的輸出軸的旋轉方向是否正確。
- 在減速機放置時間長達4-6各月情況下, 應檢查密封圈是否因不浸潤在潤滑油中而與軸發生黏連或失去彈性, 必要時更換密封圈。
- 安裝空心軸時, 應採用專用力矩扳手。如果無條件時, 用戶可自行選用專用工具, 但應確保軸向不受力, 減速機可自由移動。
- 確保通風條件良好。
- 工作環境溫度低於-5°或高於40°時, 請諮詢技術服務部。
- 皮帶盤, 齒輪, 聯軸器, 軸等通過特螺紋孔裝於實心軸或空心軸, 該螺紋孔可防止運作時損傷軸承和機件表面, 應對機件表面作適當潤滑, 以防鏽蝕和卡塞。
- 橡膠件和透氣孔不可上油漆。
- 安裝完畢後, 取出油孔上的封口栓塞, 換上透氣栓塞。
- 檢查油位高度。
- 如果減速機不連接電機時, 請參考以下注意事項以確保正確連接, 安裝於 B5, B14。
- 檢查軸與電機法蘭之公差是否符合基本標準。
- 清洗軸、中心孔和法蘭表面的污漬及油漆。
- 安裝時避免減速機受力。
- 檢查馬達鍵槽的位置和偏差。
- 用潤滑油塗抹軸的表面, 以防生鏽或卡塞。
- 開機時應分級起動, 不能夠負荷起動。
- 裝配在電機下方的機件及材料易于受損, 應採取適當的防範措施。
- The mounting on the machine must be stable to avoid any vibration.
- Check the correct direction of rotation of the reduction unit output shaft before fitting the unit to the machine.
- In the ease of particularly lengthy of periods of storage (4-6 months) if the oil seal is not immersed in the lubricant inside recommended to change it since the rubber could stick to the shaft or even has lost the elasticity it needs to function proper l.
- For a shaft mounting, for reduction units with a hollow output shafts, use the torque arms movement can supply. If it is make sure that the constraint is axially free and with such as play as to ensure free movement to the reduction unit.
- Whenever possible, protect the reduction unit against solar radiation and bad weather.
- Ensure the motor cools correctly by assuring good passage of air from the fan side.
- In the case of ambient temperatures (-5°C and )+40°C contact motionclinic.
- The various parts ( pulleys, gear wheels, couplings, shafts, etc.) must be mounted on the solid or hollow shafts using special holes or other systems that anyhow ensure correct operation without risking damage to the bearings or external parts of the uni.
- Painting must definitely not go over rubber parts and holes on the breather plugs, if there are any.
- Taking out the seal embolism of the oil hole.
- Check the height of the oil level.
- Supposing the gear unit have not coupled with the motor, please pay attention to the following items to make to make sure rightly connection. Mounting to B5, B14.
- Check whether the tolerance between the and motor flange fit for the essential standard.
- Washing the dirt and the paint on the surfaces of the shaft, center bore and the flange.
- Mounting avoid the gear unit incur strength.
- Check the position and the decination of the motor keyslot.
- Lubricate the surfaces in contact to avoid seizure or oxidation.
- Starting must take place gradually, without immediately applying the maximum load.
- When there are parts objects or materials under the motor drive that can be damaged by even limited spillage of oil, special should be fitted.

# 中空型蝸輪減速機

Worm geared motors and worm gear units

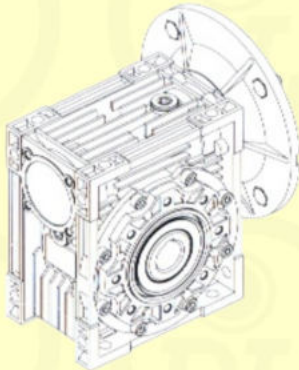
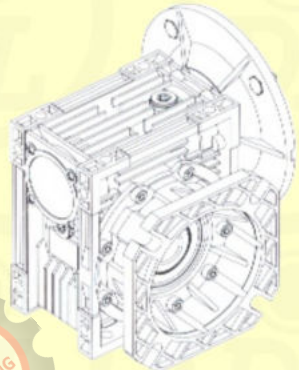
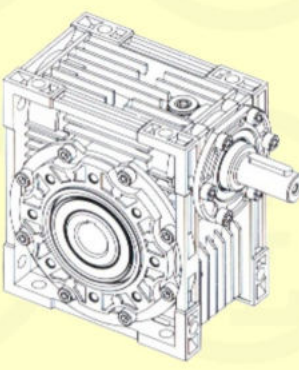
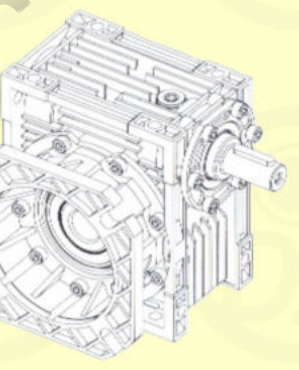
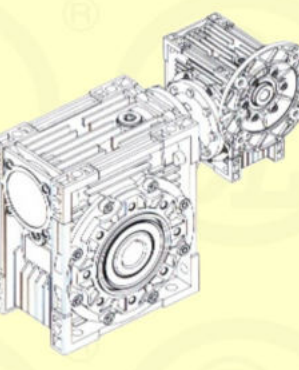
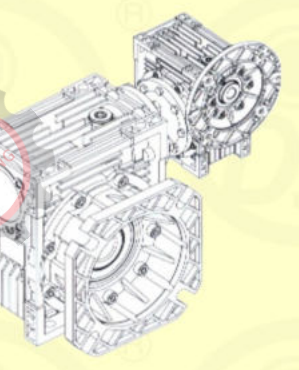
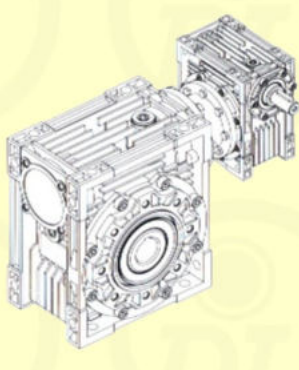
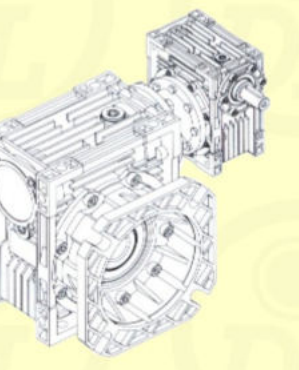


**NMRV**

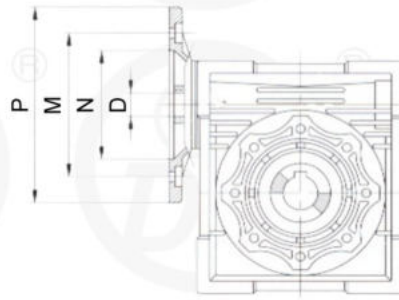


**NMRV+NMRV**

## 蝸輪減速機型號 Versions

	<p>NMRV 025-130</p>	<p>NMRV 025-130 F<sup>®</sup></p>	
	<p>NRV 025-130</p>	<p>NRV 025-130 F<sup>®</sup></p>	
	<p>NMRV-NMRV 025-130</p>	<p>NMRV-NMRV 025-130 F<sup>®</sup></p>	
	<p>NRV-NMRV 025-130</p>	<p>NRV-NMRV 025-130 F<sup>®</sup></p>	

# 電機直聯尺寸 Predisposition



NMRV	PAM IEC	N	M	P	D											
					5	7.5	10	15	20	25	30	40	50	60	80	100
025	56B14	50	65	80	9	9	9	9	9	-	9	9	9	9	-	-
	63B5	95	115	140	11	11	11	11	11	11	11	11	11	-	-	-
030	63B14	60	75	90	9	9	9	9	9	9	9	9	9	9	9	-
	56B5	80	100	120	-	-	-	-	-	-	-	-	-	-	-	-
	56B14	50	65	80	9	9	9	9	9	9	9	9	9	9	9	-
040	71B5	110	130	160	14	14	14	14	14	14	14	14	-	-	-	-
	71B14	70	85	105	11	11	11	11	11	11	11	11	11	11	11	11
	63B5	95	115	140	-	-	-	-	-	-	-	-	-	-	-	-
	63B14	60	75	90	9	9	9	9	9	9	9	9	9	9	9	9
	56B5	80	100	120	-	-	-	-	-	-	-	-	9	9	9	9
050	80B5	130	165	200	19	19	19	19	19	19	19	-	-	-	-	-
	80B14	80	100	120	14	14	14	14	14	14	14	14	14	14	14	-
	71B5	110	130	160	-	-	-	-	-	-	-	-	-	-	-	-
	71B14	70	85	105	-	-	-	-	-	-	-	-	-	-	-	-
	63B5	95	115	140	-	-	-	-	-	-	-	11	11	11	11	11
063	90B5	130	165	200	-	24	24	24	24	24	24	-	-	-	-	-
	90B14	95	115	140	-	-	-	-	-	-	-	-	-	-	-	-
	80B5	130	165	200	-	19	19	19	19	19	19	19	19	19	-	-
	80B14	80	100	120	-	-	-	-	-	-	-	-	-	-	-	-
	71B5	110	130	160	-	-	-	-	-	-	-	14	14	14	14	14
	71B14	70	85	105	-	-	-	-	-	-	-	-	-	-	-	-
075	100/112B5	180	215	250	-	28	28	28	-	-	-	-	-	-	-	-
	100/112B14	110	130	160	-	-	-	-	-	-	-	-	-	-	-	-
	90B5	130	165	200	-	24	24	24	24	24	24	24	24	24	-	-
	90B14	95	115	140	-	-	-	-	-	-	-	-	-	-	-	-
	80B5	130	165	200	-	-	-	-	19	19	19	19	19	19	19	19
	80B14	80	100	120	-	-	-	-	-	-	-	-	-	-	-	-
	71B5	110	130	160	-	-	-	-	-	-	-	-	14	14	14	14
090	100/112B5	180	215	250	-	28	28	28	28	28	28	28	28	28	-	-
	100/112B14	110	130	160	-	-	-	-	-	-	-	-	-	-	-	-
	90B5	130	165	200	-	24	24	24	24	24	24	24	24	24	-	-
	90B14	95	115	140	-	-	-	-	-	-	-	-	-	-	-	-
	80B5	130	165	200	-	-	-	-	-	-	-	19	19	19	19	19
	80B14	80	100	120	-	-	-	-	-	-	-	-	-	-	-	-
110	132B5	230	265	300	-	38	38	38	38	-	-	-	-	-	-	-
	100/112B5	180	215	250	-	28	28	28	28	28	28	28	28	28	-	-
	90B5	130	165	200	-	-	-	-	-	24	24	24	24	24	24	24
	80B5	130	165	200	-	-	-	-	-	-	-	-	-	-	19	19
130	132B5	230	265	300	-	38	38	38	38	38	38	-	-	-	-	-
	100/112B5	180	215	250	-	-	-	-	28	28	28	28	28	28	28	28
	90B5	130	165	200	-	-	-	-	-	-	-	-	-	-	24	24



## 啮合參數表 Mesh data

蝸杆螺紋，蝸輪齒牙，效率

Worm thread, worm tooth and efficiency data

NRV	I	5	7.5	10	15	20	25	30	40	50	60	80	100
025	Z1	4	4	3	2	2		1	1	1	1		
	Y	30° 57'	25° 18'	19° 31'	13° 18'	10° 53'		6° 44'	5° 29'	4° 34'	3° 56'		
	Mx	1.8	1.3	1.3	1.3	1		1.3	1	0.8	0.67		
	$\eta_d$	0.86	0.84	0.82	0.78	0.74		0.66	0.61	0.57	0.54		
	$\eta_s$	0.71	0.70	0.67	0.6	0.55		0.46	0.41	0.36	0.34		
030	Z1	4	4	3	2	2	1	1	1	1	1	1	
	Y	21° 48'	18° 50'	14° 21'	9° 40'	7° 44'	5° 34'	4° 52'	3° 53'	3° 11'	2° 46'	2° 07'	
	Mx	2	1.44	1.44	1.44	1.1	1.7	1.44	1.1	0.88	0.75	0.56	
	$\eta_d$	0.86	0.84	0.81	0.76	0.72	0.67	0.64	0.58	0.54	0.5	0.44	
	$\eta_s$	0.71	0.66	0.62	0.54	0.5	0.43	0.39	0.35	0.31	0.27	0.23	
040	Z1	4	4	4	2	2	2	1	1	1	1	1	1
	Y	27° 24'	21° 48'	17° 31'	11° 18'	8° 58'	7° 41'	5° 42'	4° 30'	3° 51'	3° 17'	2° 32'	2° 05'
	Mx	2.8	2	1.5	2	1.5	1.25	2	1.5	1.25	1.04	0.78	0.63
	$\eta_d$	0.88	0.86	0.85	0.81	0.77	0.74	0.69	0.64	0.61	0.57	0.51	0.47
	$\eta_s$	0.72	0.69	0.65	0.58	0.53	0.5	0.44	0.4	0.36	0.32	0.28	0.24
050	Z1	4	4	4	2	2	2	1	1	1	1	1	1
	Y	23° 49'	21° 48'	17° 42'	11° 18'	9° 04'	7° 36'	5° 42'	4° 33'	3° 49'	3° 17'	2° 33'	2° 04'
	Mx	3.4	2.5	1.9	2.5	1.9	1.54	2.5	1.9	1.54	1.3	0.98	0.78
	$\eta_d$	0.87	0.86	0.84	0.81	0.77	0.74	0.7	0.65	0.61	0.57	0.51	0.49
	$\eta_s$	0.73	0.69	0.65	0.58	0.54	0.5	0.44	0.39	0.35	0.32	0.27	0.23
063	Z1		4	4	2	2	2	1	1	1	1	1	1
	Y		24° 31'	20° 19'	12° 50'	10° 29'	8° 44'	6° 30'	5° 17'	4° 23'	3° 47'	2° 59'	2° 25'
	Mx		3.25	2.5	3.25	2.5	2	3.25	2.5	2	1.68	1.28	1.02
	$\eta_d$		0.87	0.86	0.82	0.8	0.77	0.73	0.69	0.65	0.61	0.56	0.5
	$\eta_s$		0.7	0.65	0.59	0.54	0.5	0.45	0.4	0.36	0.33	0.28	0.24
075	Z1		4	4	2	2	2	1	1	1	1	1	1
	Y		26° 33'	21° 48'	14° 02'	18° 11'	9° 37'	7° 07'	5° 42'	4° 50'	4° 05'	3° 15'	2° 40'
	Mx		4	3	4	3	2.45	4	3	2.45	2	1.54	1.24
	$\eta_d$		0.88	0.87	0.84	0.81	0.79	0.75	0.71	0.68	0.64	0.59	0.54
	$\eta_s$		0.7	0.67	0.6	0.57	0.52	0.45	0.42	0.38	0.35	0.29	0.26
090	Z1		4	4	2	2	2	1	1	1	1	1	1
	Y		28° 20'	23° 26'	15° 05'	12° 14'	10° 37'	7° 40'	6° 11'	5° 21'	4° 36'	3° 36'	2° 57'
	Mx		4.8	3.6	4.8	3.6	3	4.8	3.6	3° 11'	2.5	1.88	1.5
	$\eta_d$		0.59	0.88	0.85	0.83	0.81	0.77	0.74	0.71	0.68	0.62	0.58
	$\eta_s$		0.72	0.69	0.63	0.59	0.55	0.49	0.45	0.41	0.38	0.32	0.28
110	Z1		4	4	2	2	2	1	1	1	1	1	1
	Y		28° 17'	27° 35'	15° 03'	14° 38'	12° 37'	7° 39'	7° 26'	6° 23'	5° 31'	4° 23'	3° 38'
	Mx		5.89	4.6	5.89	4.6	3.75	5.89	4.6	3.75	3.12	2.36	1.9
	$\eta_d$		0.87	0.88	0.85	0.84	0.83	0.78	0.77	0.74	0.71	0.66	0.62
	$\eta_s$		0.71	0.68	0.62	0.61	0.58	0.48	0.48	0.44	0.41	0.36	0.32
130	Z1		4	4	2	2	2	1	1	1	1	1	1
	Y		28° 46'	26° 15'	15° 21'	13° 51'	11° 49'	7° 48'	7° 01'	5° 58'	5° 12'	4° 05'	3° 25'
	Mx		7	5.4	7	5.4	4.37	7° 07'	5.4	4.37	3.68	2.75	2.24
	$\eta_d$		0.9	0.88	0.86	0.85	0.83	0.79	0.77	0.74	0.71	0.67	0.63
	$\eta_s$		0.71	0.68	0.62	0.6	0.57	0.49	0.46	0.43	0.39	0.34	0.3

The helix is right-handed.  $\eta_d(1400)$ .....dynamic efficiency at  $n_1=1400$   $\eta_s$ .....static efficiency  
i.....ratio Z1 : 蝸桿齒數 Y : 螺旋角 mx : 模數

機型代號 Model	輸出轉速 N2 (r/min)	輸出轉矩 M2 (N.m)	傳動比 i	輸出軸 徑向力 Kn	使用係數 f.s
<b>0.06kw</b>					
NMRV25	186.7	2.6	7.5	0.50	4.2
	140	3.4	10	0.55	3.5
	93.9	4.9	15	0.63	2.5
	70	6.1	20	0.69	2
	46.7	8.2	30	0.79	1.6
	35	10	40	0.87	1.3
	28	12	50	0.94	0.9
	23.3	14	60	1.00	0.7
NMRV30	186.7	2.6	7.5	0.68	6.9
	140	3.4	10	0.75	5.4
	93.3	4.7	15	0.86	3.8
	70	6.0	20	0.94	3.0
	56	7.0	25	1.02	3.0
	46.7	8.0	30	1.08	2.5
	35	9.7	40	1.19	1.9
	28	11	50	1.28	1.5
	23.3	13	60	1.36	1.3
	17.5	14	80	1.50	0.9
<b>0.09kw</b>					
NMRV25	186.7	3.9	7.5	0.50	2.8
	140	5.1	10	0.55	2.4
	93.9	7.3	15	0.63	1.6
	70	9.2	20	0.69	1.3
	46.7	12	30	0.79	1.1
	35	15	40	0.87	0.9
	28	19	50	1.02	0.7
NMRV30	186.7	3.9	7.5	0.68	4.6
	140	5.0	10	0.75	3.6
	93.3	7.1	15	0.86	2.5
	70	9	20	0.94	2.0
	56	10	25	1.02	2.0
	46.7	12	30	1.08	1.7
	35	14	40	1.19	1.2
	28	17	50	1.28	1.0
NMRV40	23.3	19	60	1.36	0.9
	28	19	50	2.47	2.0
	23.3	21	60	2.63	1.7
	17.5	26	80	2.89	1.3
14	29	100	3.11	1.0	
<b>0.12kw</b>					
NMRV30	186.7	5.2	7.5	0.68	3.4
	140	6.7	10	0.75	2.7
	93.3	9.5	15	0.86	1.9
	70	12	20	0.94	1.5
	56	14	25	1.02	1.5
	46.7	16	30	1.08	1.3
	35	19	40	1.19	0.9
	28	23	50	1.28	0.8
NMRV40	46.7	17.2	30	2.08	2.6
35	21	40	2.29	1.9	

機型代號 Model	輸出轉速 N2 (r/min)	輸出轉矩 M2 (N.m)	傳動比 i	輸出軸 徑向力 Kn	使用係數 f.s
<b>0.12kw</b>					
NMRV40	28	25	50	2.47	1.5
	23.3	28	60	2.63	1.3
	17.5	34	80	2.89	1.0
	14	38	100	3.11	0.8
NMRV50	23.3	29	60	3.61	2.3
	17.5	35	80	3.97	1.9
14	40	100	4.28	1.4	
<b>0.18kw</b>					
NMRV30	186.7	7.8	7.5	0.68	2.3
	140	10	10	0.75	1.8
	93.3	14	15	0.86	1.3
	70	18	20	0.94	1.0
	56	21	25	1.02	1.0
	46.7	24	30	1.08	0.8
	35	28	35	1.19	0.7
	28	33	40	1.28	0.6
NMRV40	70	19	20	1.82	2.0
	56	23	25	1.96	1.7
	46.7	26	30	2.08	1.7
	35	32	40	2.29	1.3
	28	38	50	2.47	1.0
	23.3	43	60	2.63	0.8
	35	32	40	3.15	2.3
	28	39	50	3.39	1.9
NMRV50	23.3	43	60	3.61	1.6
	17.5	52	80	3.97	1.2
	14	60	100	4.28	0.9
	28	50	50	3.39	1.4
<b>0.25kw</b>					
NMRV40	186.7	11	7.5	1.31	3.6
	140	14	10	1.44	2.8
	93.3	21	15	1.65	1.9
	70	27	20	1.82	1.5
	56	32	25	1.96	1.2
	46.7	36	30	2.08	1.3
	35	44	40	2.29	0.9
	28	37	50	2.47	0.8
	70	26	20	2.50	2.7
	56	32	25	2.69	2.2
NMRV50	46.7	37	30	2.86	2.3
	35	46	40	3.15	1.7
	28	54	50	3.39	1.4
	23.3	60	60	3.61	1.1
	17.5	72	80	3.97	0.9
	28	56	50	4.44	2.4
	23.3	63	60	4.71	2.0
	17.5	78	80	5.19	1.6
14	87	100	5.59	1.4	
<b>0.37kw</b>					
NMRV40	186.7	16	7.5	1.31	2.4
	140	21	10	1.44	1.9
	93.3	31	15	1.68	1.3

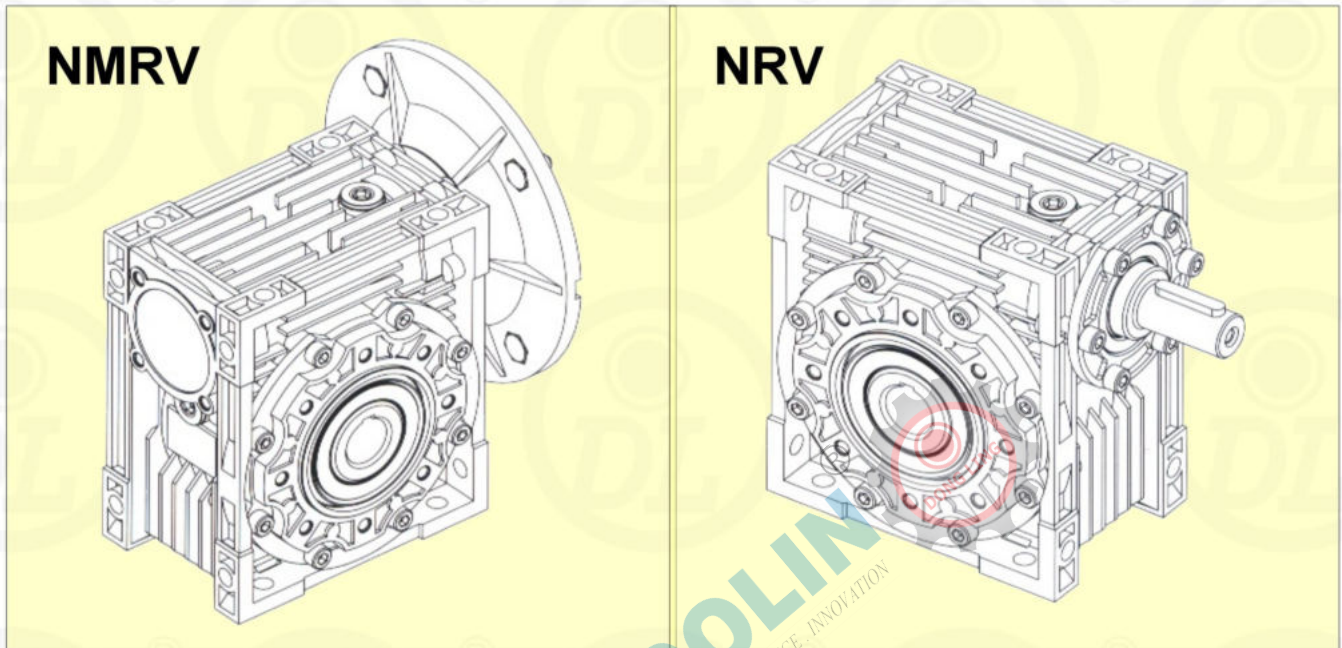
機型代號 Model	輸出轉速 N2 (r/min)	輸出轉矩 M2 (N.m)	傳動比 i	輸出軸 徑向力 Kn	使用係數 f.s	
<b>0.37kw</b>						
NMRV40	70	39	20	1.82	1.0	
	56	47	25	1.96	0.8	
	46.7	53	30	2.08	0.8	
NMRV50	140	21	10	1.98	3.3	
	93.3	31	15	2.27	2.4	
	70	40	20	2.50	1.8	
	56	48	25	2.69	1.5	
NMRV63	46.7	55	30	2.86	1.5	
	35	68	40	3.15	1.1	
	28	80	50	3.39	0.9	
NMRV63	23.3	89	60	3.61	0.8	
	35	70	40	4.12	2.1	
	28	83	50	4.44	1.6	
	23.3	94	60	4.71	1.4	
	17.5	115	80	5.19	1.1	
NMRV50	14	129	100	5.59	0.9	
	186.7	25	7.5	1.80	2.9	
	140	32	10	1.98	2.2	
	93.3	46	15	2.27	1.6	
	70	59	20	2.50	1.2	
	56	71	25	2.69	1.0	
	46.7	81	30	2.86	1.0	
	35	80	40	3.15	0.9	
	70	60	20	3.27	2.2	
	56	73	25	3.52	1.8	
NMRV63	46.7	83	30	3.74	1.9	
	35	105	40	4.12	1.4	
	28	124	50	4.44	1.1	
	23.3	140	60	4.71	0.9	
NMRV75	35	108	40	4.86	2.0	
	28	129	50	5.24	1.6	
	23.3	146	60	5.56	1.4	
NMRV90	17.5	180	80	6.13	1.1	
	14	206	100	6.60	0.9	
	17.5	189	80	6.78	1.5	
NMRV50	14	221	100	7.30	1.2	
	186.7	34	7.5	1.80	2.1	
	140	44	10	1.98	1.6	
	93.3	63	15	2.27	1.2	
	70	81	20	2.50	0.9	
	93.3	63	15	2.97	2.2	
	70	83	20	3.27	1.6	
	NMRV63	56	100	25	3.52	1.3
		46.7	114	30	3.74	1.4
		35	143	40	4.12	1.0
NMRV75	56	102	25	4.16	2.0	
	46.7	117	30	4.42	2.0	
	35	147	40	4.86	1.5	
	28	177	50	5.24	1.2	
	23.3	200	60	5.56	1.0	
NMRV90	28	184	50	5.79	1.8	
	23.3	212	60	6.16	1.5	

機型代號 Model	輸出轉速 N2 (r/min)	輸出轉矩 M2 (N.m)	傳動比 i	輸出軸 徑向力 Kn	使用係數 f.s
<b>0.75kw</b>					
NMRV90	17.5	258	80	6.78	1.1
	14	302	100	7.30	0.9
<b>1.1kw</b>					
NMRV63	186.7	49	7.5	2.35	2.6
	140	65	10	2.59	2
	93.3	93	15	2.97	1.5
	70	122	20	3.27	1.1
	56	146	25	3.52	0.9
	46.7	167	30	3.74	1.0
	35	165	40	3.59	0.9
NMRV75	93.3	95	15	3.50	2.1
	70	123	20	3.86	1.7
	56	150	25	4.16	1.3
	46.7	171	30	4.42	1.3
	35	216	40	4.86	1.0
	28	264	50	4.60	0.9
	23.3	223	60	4.89	0.8
NMRV90	35	225	40	5.38	1.6
	28	270	50	5.79	1.3
	23.3	311	60	6.16	1.0
	17.5	328	80	6.17	0.9
NMRV110	28	281	50	7.32	2.3
	23.3	324	60	7.78	1.9
	17.5	402	80	8.57	1.3
NMRV63	14	473	100	9.23	1.0
	186.7	67	7.5	2.35	1.9
	140	89	10	2.59	1.5
	93.3	127	15	2.97	1.1
	70	166	20	3.27	0.8
	140	90	10	3.06	2.2
	93.3	130	15	3.50	1.5
	70	168	20	3.86	1.3
	56	205	25	4.16	1.0
	46.7	233	30	4.42	1.0
NMRV75	70	171	20	4.27	2.1
	56	210	25	4.60	1.6
	46.7	239	30	4.89	1.7
	35	307	40	5.38	1.2
	28	368	50	5.79	0.9
	23.3	424	60	6.16	0.8
	35	319	40	6.80	2.2
NMRV110	28	384	50	7.32	1.7
	23.3	442	60	7.78	1.4
	17.5	548	80	8.57	0.9
	<b>2.2kw</b>				
NMRV75	186.7	100	7.5	2.78	1.8
	140	132	10	3.06	1.5
	93.3	191	15	3.50	1.0
	70	240	20	3.38	0.9
	46.7	269	30	3.89	0.8
NMRV90	186.7	101	7.5	3.08	2.9
	140	134	10	3.39	2.3
	93.3	194	15	3.88	1.9

機型代號 Model	輸出轉速 N2 (r/min)	輸出轉矩 M2 (N.m)	傳動比 i	輸出軸 徑向力 Kn	使用係數 f.s
<b>2.2kw</b>					
NMRV90	70	252	20	4.27	1.4
	56	308	25	4.60	1.1
	46.7	351	30	4.89	1.2
	35	433	40	4.90	1.0
	28	393	50	5.28	0.9
NMRV110	70	255	20	5.39	2.5
	56	315	25	5.81	2.2
	46.7	356	30	6.18	2.0
	35	468	40	6.80	1.5
	28	563	50	7.32	1.2
NMRV130	23.3	648	60	7.78	1.0
	35	468	40	8.89	2.2
	28	563	50	9.58	1.7
	23.3	648	60	10.18	1.4
	17.5	816	80	11.21	1.0
NMRV150	14	869	100	10.62	0.8
	28	570	50	13.10	2.5
	23.3	657	60	13.92	1.9
NMRV150	17.5	816	80	15.32	1.4
	14	960	100	16.50	1.0
	<b>3kw</b>				
NMRV75	186.7	136	7.5	2.78	1.4
	140	180	10	3.06	1.1
	93.3	261	15	3.50	0.8
NMRV90	186.7	138	7.5	3.08	2.1
	140	182	10	3.39	1.7
	93.3	264	15	3.88	1.4
	70	344	20	4.27	1.0
	56	420	25	4.60	0.8
NMRV110	46.7	479	30	4.89	0.9
	93.3	264	15	4.90	2.5
	70	348	20	5.39	1.9
	56	430	25	5.81	1.6
	46.7	485	30	6.18	1.5
NMRV130	35	638	40	6.80	1.1
	28	767	50	7.32	0.9
	56	429	25	7.60	2.2
	46.7	491	30	8.08	2.1
	35	638	40	8.89	1.6
NMRV150	28	767	50	9.58	1.3
	23.3	884	60	10.18	1.0
	17.5	1113	80	11.21	0.8
	28	777	50	13.10	1.8
	23.3	896	60	13.92	1.4
NMRV150	17.5	1113	80	15.32	1.0
	14	1310	100	16.50	0.8
<b>4kw</b>					
NMRV75	186.7	182	7.5	2.44	1.4
NMRV90	186.7	184	7.5	3.08	1.6
	140	243	10	3.39	1.3
	93.3	352	15	3.88	1.0
NMRV110	70	458	20	4.27	0.8
	140	242	10	4.28	2.5
NMRV110	93.3	352	15	4.90	1.9
	70	464	20	5.39	1.4

機型代號 Model	輸出轉速 N2 (r/min)	輸出轉矩 M2 (N.m)	傳動比 i	輸出軸 徑向力 Kn	使用係數 f.s
<b>4kw</b>					
NMRV110	56	573	25	5.81	1.2
	46.7	647	30	6.18	1.1
NMRV130	56	573	25	7.60	1.6
	46.7	655	30	8.08	1.6
	35	851	40	8.89	1.2
	28	1023	50	9.58	1.0
NMRV150	23.3	1179	60	10.18	0.8
	28	1036	50	13.10	1.4
	23.3	1195	60	13.92	1.1
NMRV150	17.5	1484	80	15.32	0.8
	<b>5.5kw</b>				
NMRV110	186.7	253	7.5	3.89	2.2
	140	334	10	4.28	1.8
	93.3	484	15	4.90	1.4
	70	638	20	5.39	0.9
	56	711	25	5.15	1.0
NMRV130	140	333	10	5.60	2.5
	93.3	490	15	6.41	1.9
	70	645	20	7.06	1.4
	56	788	25	7.60	1.2
	46.7	900	30	8.08	1.2
NMRV150	35	1171	40	8.89	0.9
	28	1103	50	8.51	0.8
	70	645	20	9.65	2.0
	56	788	25	10.40	1.5
	46.7	934	30	11.05	1.3
NMRV150	35	1171	40	12.16	1.3
	28	1426	50	13.10	1.0
	23.3	1643	60	13.92	0.8
<b>7.5kw</b>					
NMRV110	186.7	345	7.5	3.89	1.6
	140	455	10	4.28	1.3
	93.3	660	15	4.90	1.0
NMRV130	186.7	349	7.5	5.09	2.1
	140	455	10	5.60	1.8
	93.3	668	15	6.41	1.4
	70	880	20	7.06	1.0
	56	1074	25	7.60	0.9
NMRV150	46.7	1228	30	8.08	0.8
	35	1596	40	8.89	0.7
	70	880	20	9.65	1.5
	56	1074	25	10.40	1.1
	46.7	1274	30	11.05	0.9
NMRV150	35	1595	40	12.16	1.0
	<b>11kw</b>				
NMRV150	186.7	512	7.5	6.96	2.3
	140	675	10	7.66	1.8
	93.3	990	15	8.77	1.3
	70	1291	20	9.65	1.0
NMRV150	56	1576	25	10.4	0.8
	<b>15kw</b>				
NMRV150	186.7	698	7.5	6.96	1.7
	140	921	10	7.66	1.3
	93.3	1351	15	8.77	0.9
	70	1760	20	9.65	0.7

## NMRV / NRV

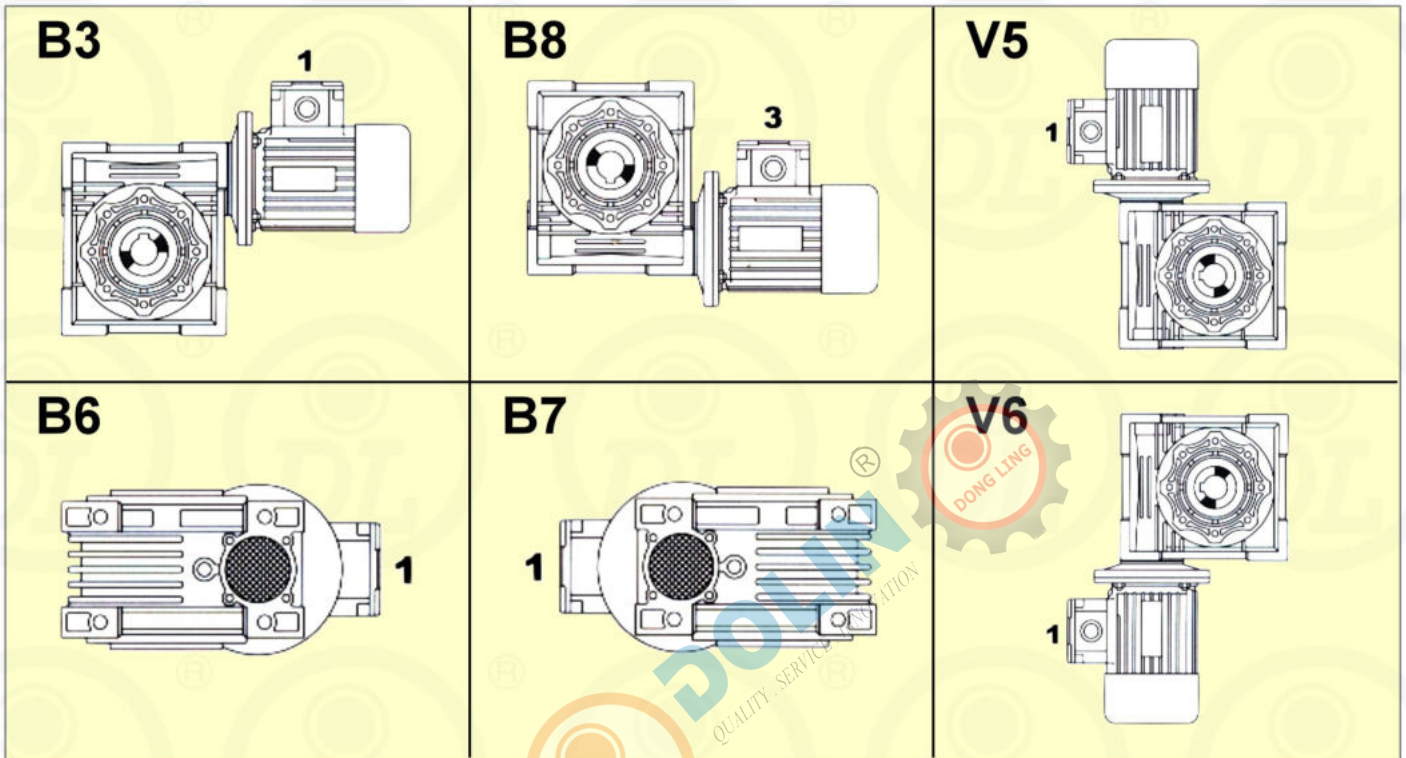


### NMRV 型號標記 NMRV Model & marker

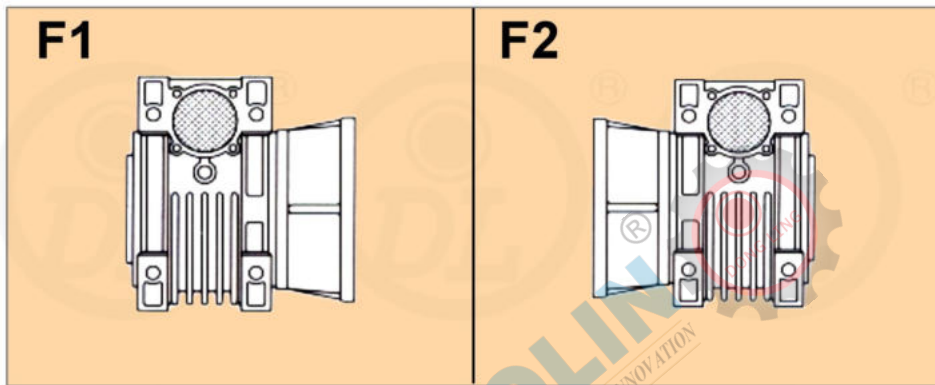
#### NMRV-063-30-VS-F1(FA)-AS-80B5-0.75kW-B3

<b>NMRV</b>	蝸輪減速器 Worm geared motor		
<b>NRV</b>	蝸輪減速器(配接輸入軸) Worm reduction unit		
<b>063</b>	蝸輪減速器中心距 Center distance		
<b>30</b>	減速比 Reduction ratio		
<b>VS</b>	雙向輸入軸 Double input shaft	<b>F1(FA)</b>	輸出法蘭位置及型號 Output flange
<b>AS</b>	單向輸出軸 Single output shaft	<b>AB</b>	雙向輸出軸 Double output shaft
<b>PAM</b>	電機連接 Fitted for motor coupling	<b>80B5</b>	電機機座號和安裝結構形式 Motor mounting facility
<b>0.75KW</b>	電機功率 Electric motor power	<b>B3</b>	安裝方位 Mounting position

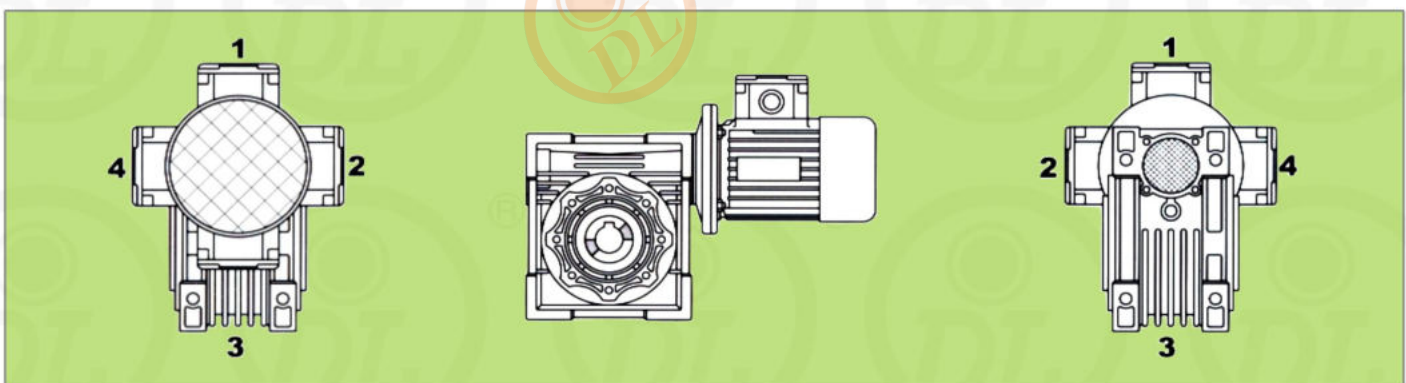
**安裝方位 Mounting positions**



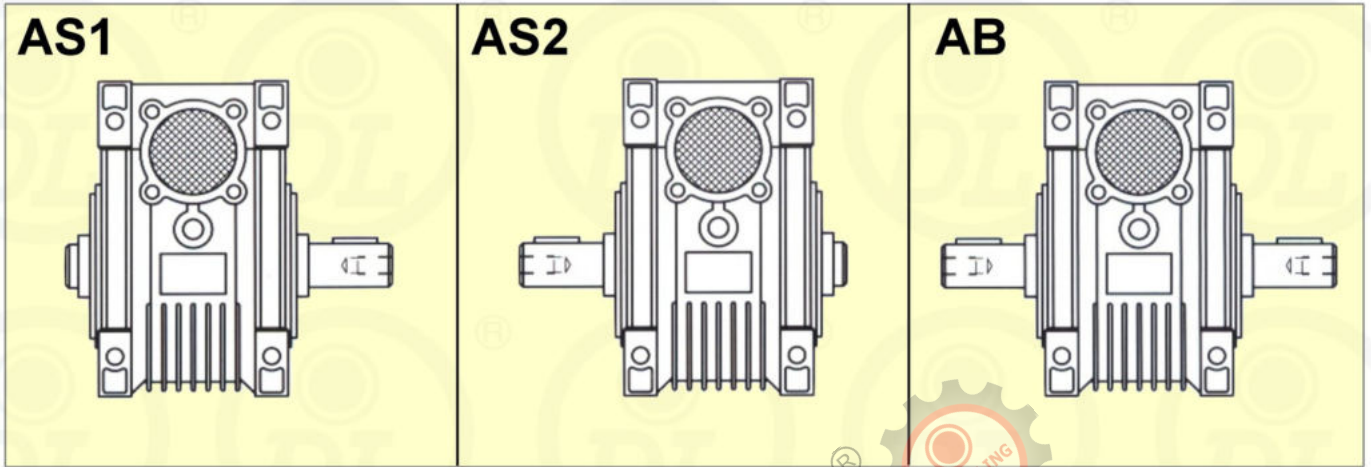
**法蘭位置 Flange F-FL**



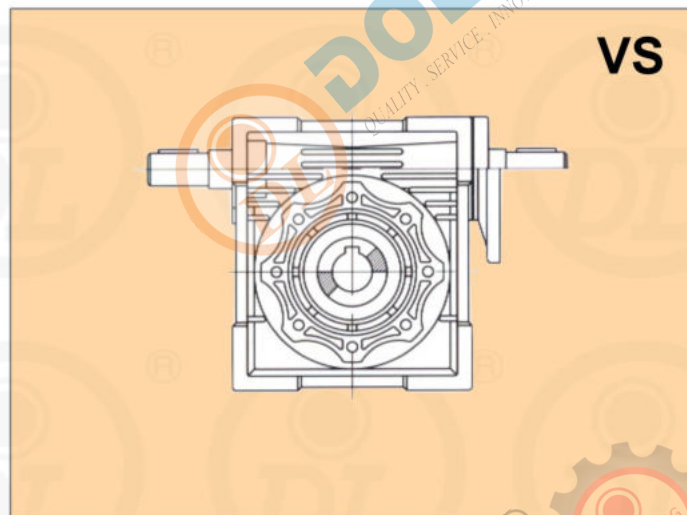
**接線盒安裝方式 Pos. of terminal box**



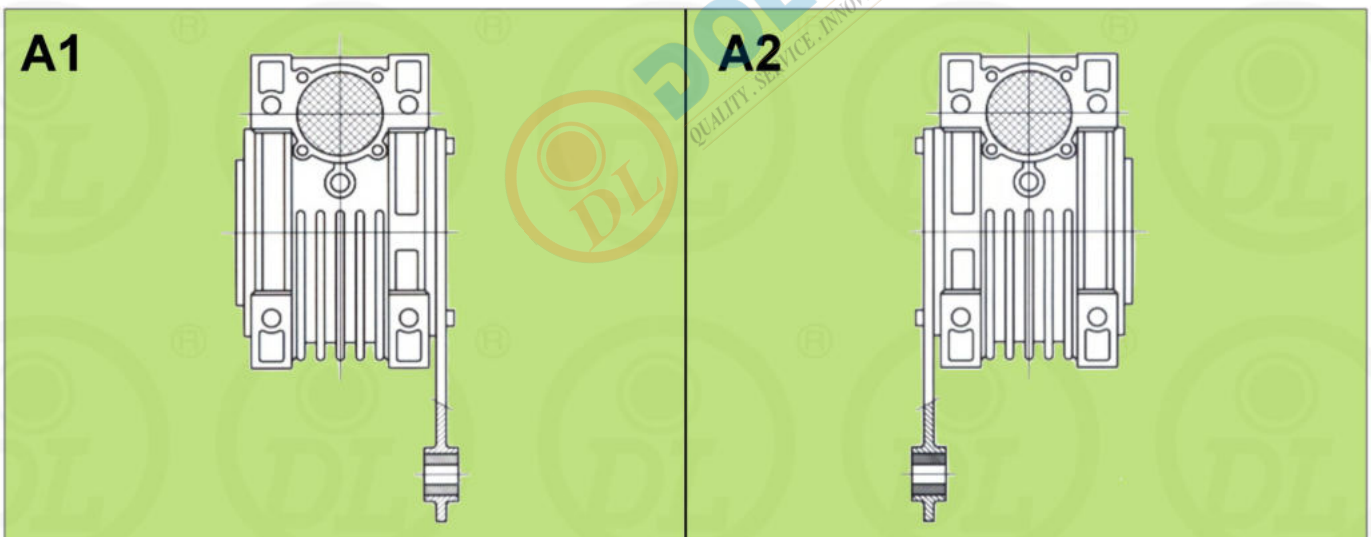
輸出軸配置 Pos. of output shaft



雙向輸入軸 Double extension worm shaft



接線盒安裝方式 Pos. of terminal box

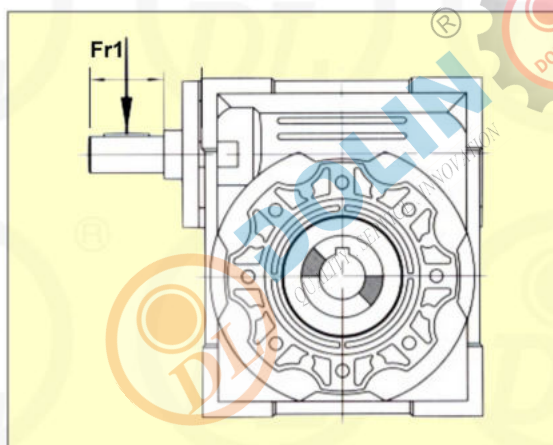


## 潤滑油的選用 Choice of lubricant

油量公升數 Q. ty of oil in litres										
NMRV	025	030	040	050	063	075	090	110	130	
B3								3	4.5	
B6								2.2	3.3	
B6-B7	0.02	0.04	0.08	0.15	0.3	0.55	1	2.5	3.5	
V5								3	4.5	

ISO	VG32	合成油 Synthetic VG320	礦物油 Mineral VG320
國內使用 Used in interior	廣研潤滑	WA460	
國外使用 Used in foreign Countries	IP SHELL AGIP MOBIL GASTROL	TELIUM VSF TIVELA OIL SC320 BLASIA S320 GLYGOYLE 30 ALPHASYN PG 320	MELLANA OIL 220 OMALA OIL 220 BLASIA 220 MOBILGEAR 220 ALPHA MAX 220

## 輸入軸許用徑向載荷 Applied mid-way along the input shaft



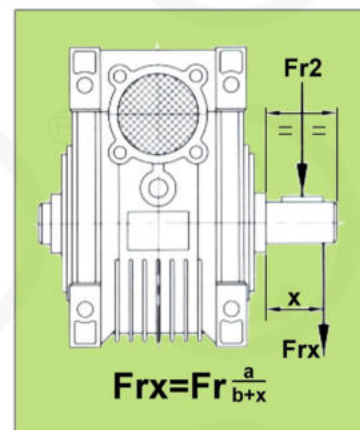
(N)

n1	NRV030	NRV040	NRV050	NRV063	NRV075	NRV090	NRV110	NRV130
1400	150	250	350	500	700	900	1200	1500
900	175	290	400	580	810	1040	1390	1740
500	210	350	490	700	980	1270	1700	2100

## 輸出軸許用徑向載荷 Applied mid-way along the output shaft

(N)

n2	NRV025	NRV030	NRV040	NRV050	NRV063	NRV075	NRV090	NRV110	NRV130
400	390	530	1020	1400	1830	2160	2390	3020	3950
250	460	620	1200	1650	2150	2520	2800	3530	4610
150	550	740	1420	1960	2540	2990	3310	4180	5470
100	630	850	1620	2250	2910	3430	3800	4790	6260
60	740	1000	1920	2660	3450	4060	4500	5680	7420
40	850	1150	2200	3050	3950	4650	5150	6500	8500
25	990	1350	2570	3570	4620	5440	6020	7600	9940
10	1350	1830	3490	4840	6270	7380	8180	10320	13500
a	50	65	84	101	120	131	162	191	203
b	38	50	64	76	95	101	122	151	163

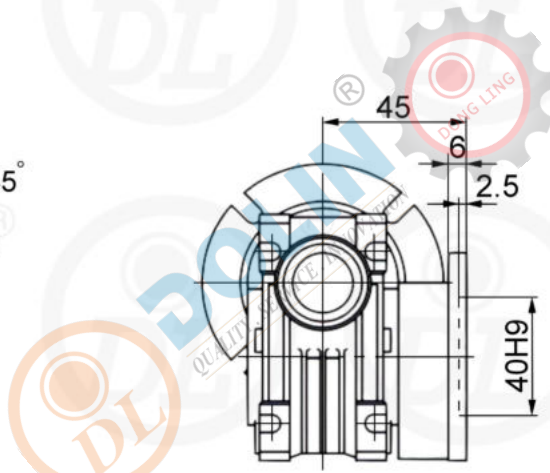
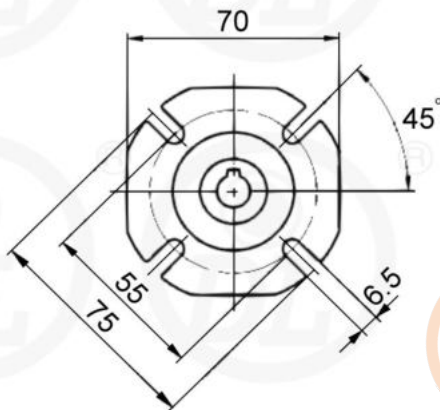
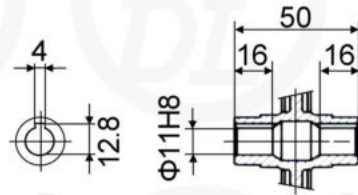
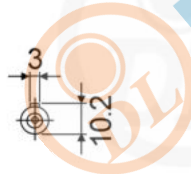
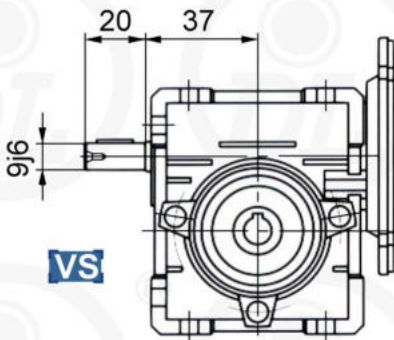
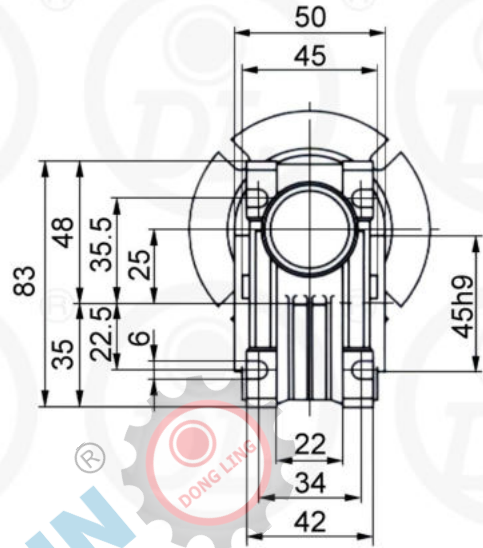
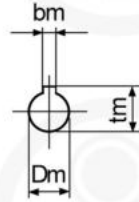
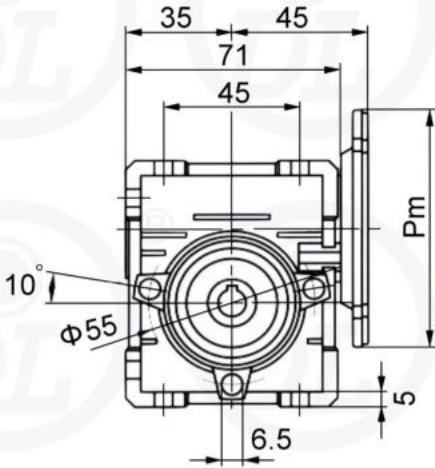


- 表中的數值為作用於出力軸中點的許可加載力。
- 當減速機為雙出軸時，折算到軸端的徑向合力不能超過表中規定的數值。
- 當徑向力和軸向力同時施加時，最大許可的軸向推力為徑向力的1/5。
- Above table is the allowed loading force on the midpoint of output shaft.
- When the reducer is with double output shafts, the resultant radial power at the edge of shaft should not exceed the values specified as in above table.
- The max allowed axial thrust is 1/5 of radial force while the radial force and axial force effected together.



# 減速機外型尺寸 Dimensions

## NMRV025



\*不帶電機重量為：0.7kg

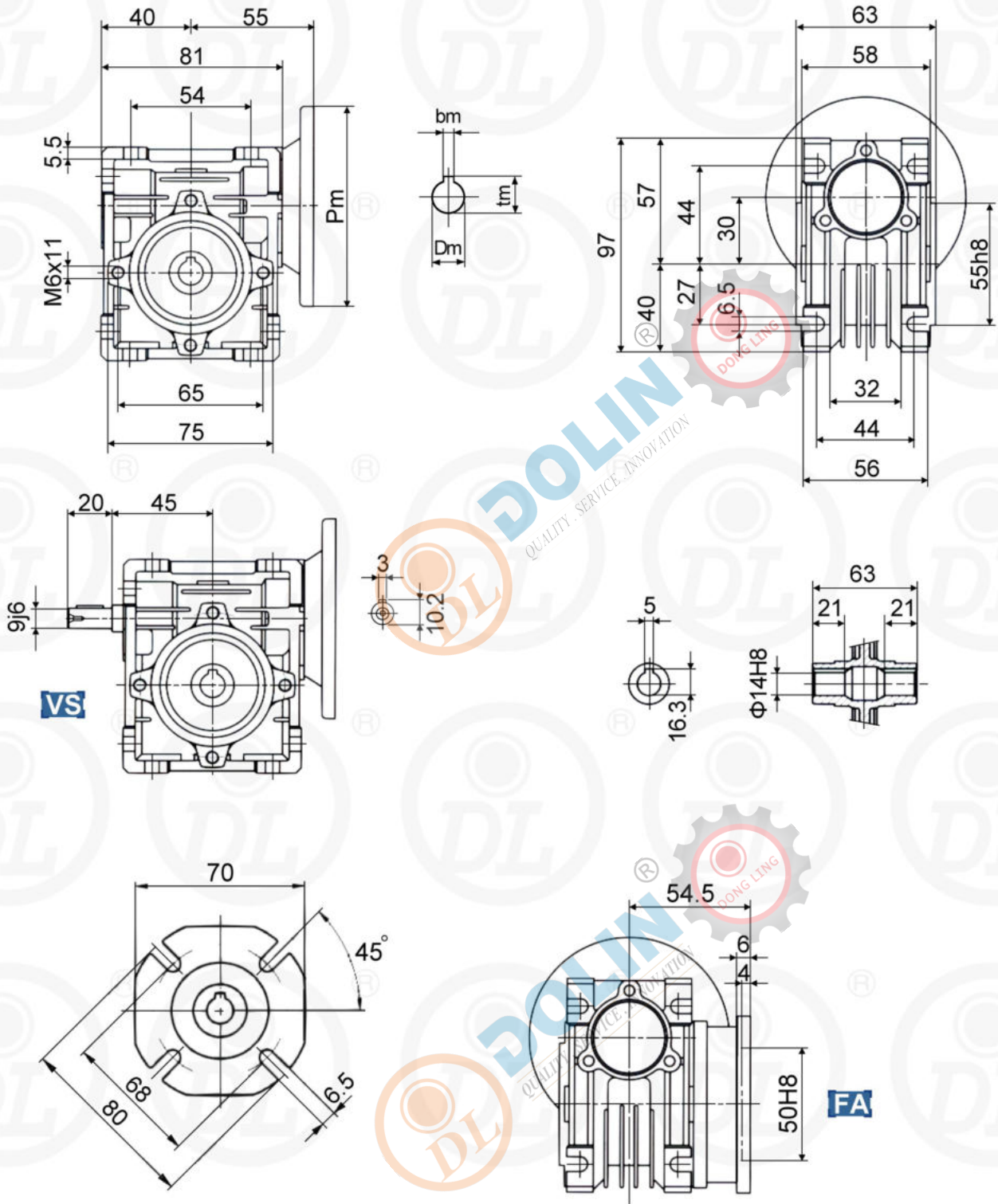
\*輸入尺寸 (Pm, Dm, bm, tm) 參考第47頁圖表

\*Weight without motor : 0.7kg

\*For the dimensions concerning the motor connection area(Pm , Dm , bm , tm) please refer to the table shown at page 38

# 減速機外型尺寸 Dimensions

## NMRV030



\*不帶電機重量為：1.2kg

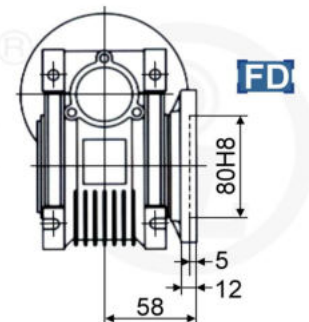
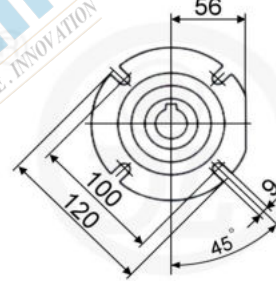
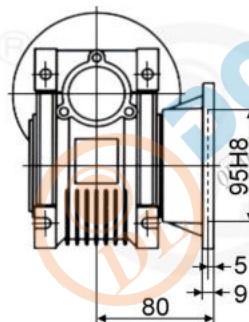
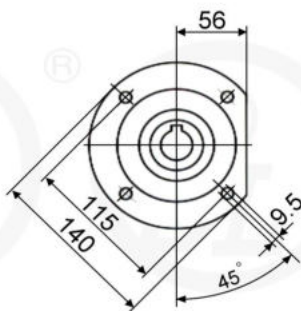
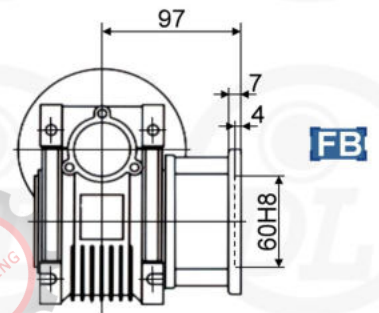
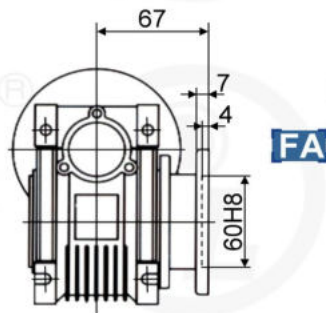
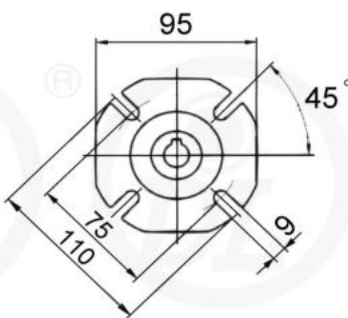
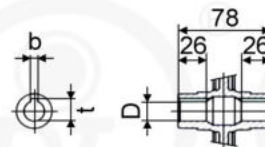
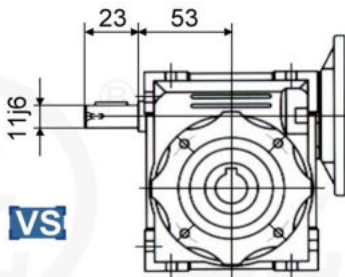
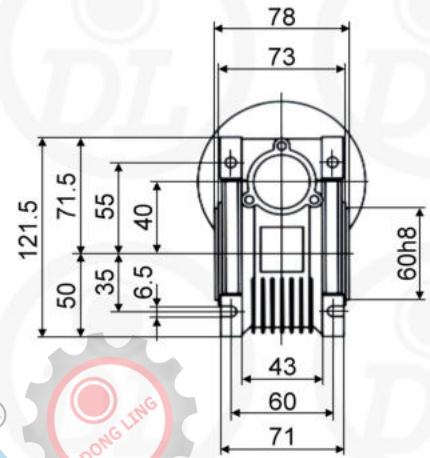
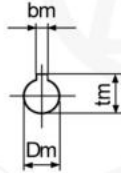
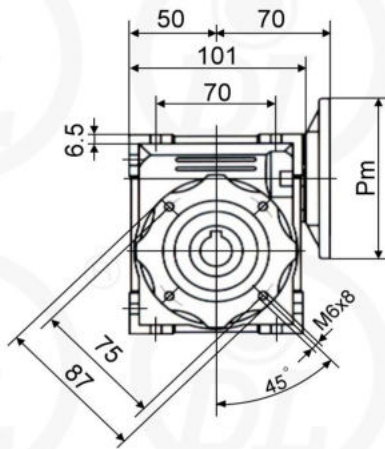
\*輸入尺寸 (Pm, Dm, bm, tm) 參考第47頁圖表

\*Weight without motor : 1.2kg

\*For the dimensions concerning the motor connection area(Pm , Dm , bm , tm)  
 please refer to the table shown at page 38

# 減速機外型尺寸 Dimensions

## NMRV040



輸出 / Output		
D H8	b	t
18	6	20.8
(19)	(6)	(21.8)

(..)根據用戶要求訂製

\*不帶電機重量為：2.3kg

\*輸入尺寸 (Pm, Dm, bm, tm) 參考第47頁圖表

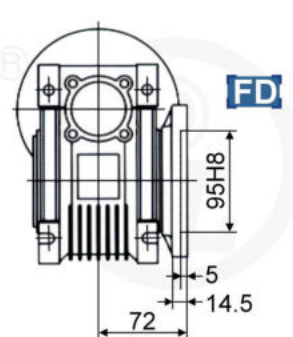
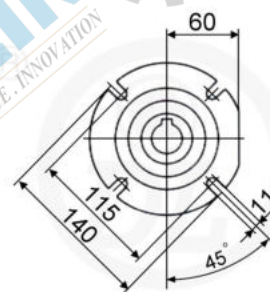
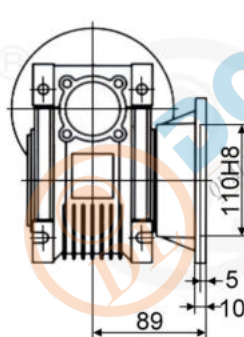
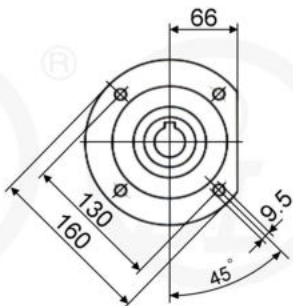
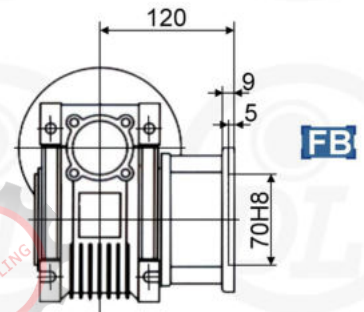
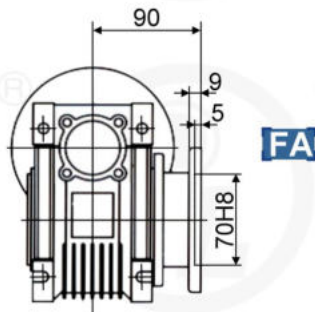
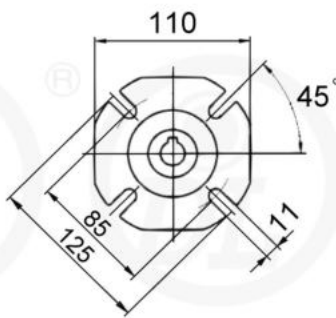
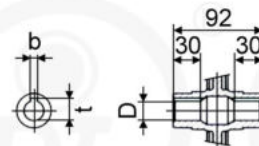
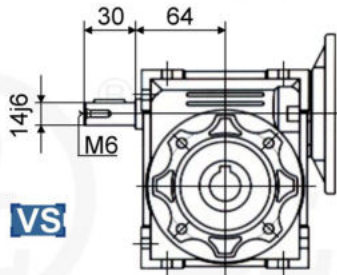
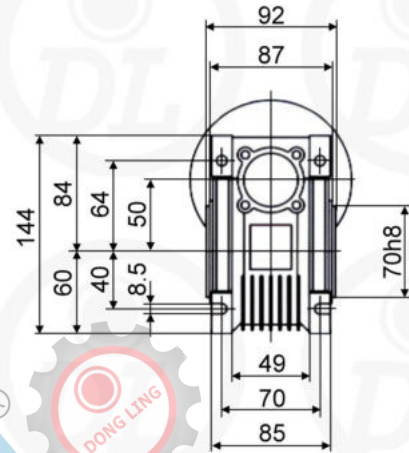
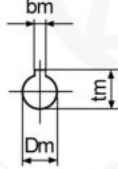
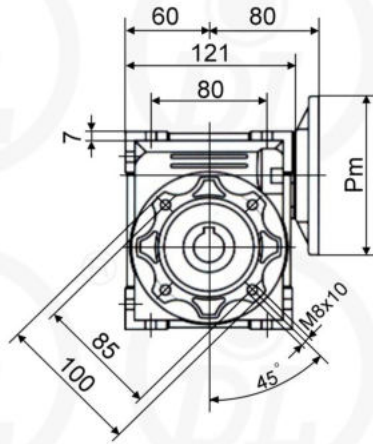
(..)Only on request

\*Weight without motor : 2.3kg

\*For the dimensions concerning the motor connection area(Pm · Dm · bm · tm) please refer to the table shown at page 38

# 減速機外型尺寸 Dimensions

## NMRV050



輸出 / Output		
D H8	b	t
25	8	28.3
(24)	(8)	(27.3)

(...)根據用戶要求訂製

\*不帶電機重量為：3.5kg

\*輸入尺寸 (Pm, Dm, bm, tm) 參考第47頁圖表

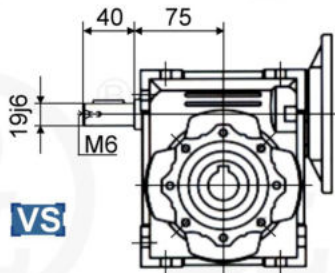
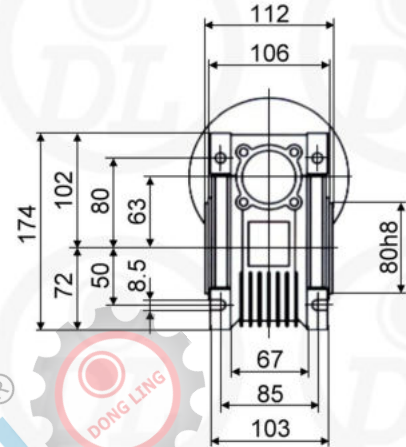
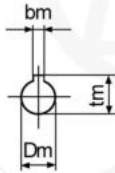
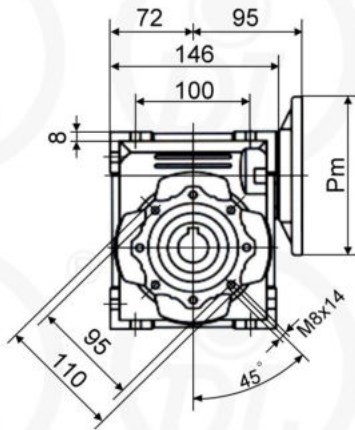
(...)Only on request

\*Weight without motor : 3.5kg

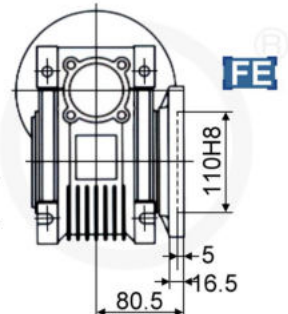
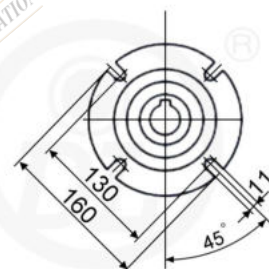
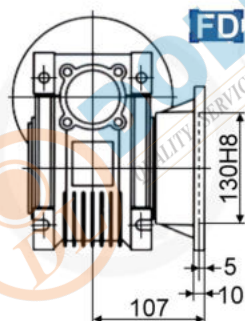
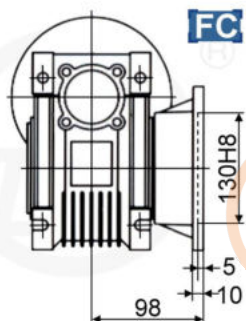
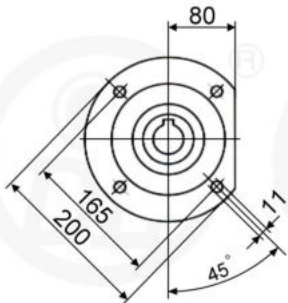
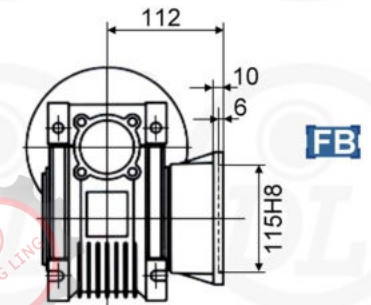
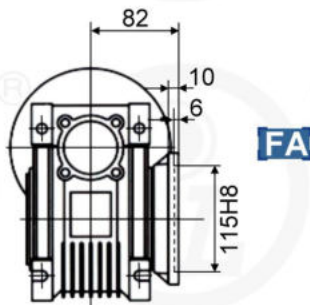
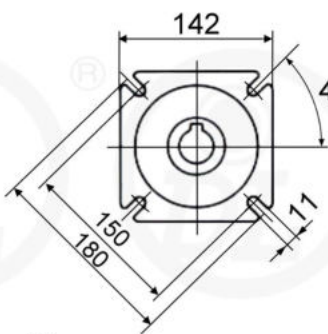
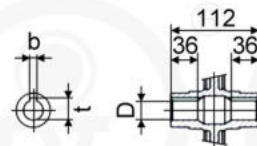
\*For the dimensions concerning the motor connection area(Pm · Dm · bm · tm) please refer to the table shown at page 38

# 減速機外型尺寸 Dimensions

## NMRV063



VS



輸出 / Output		
D H8	b	t
25	8	28.3
(28)	(8)	(31.3)

(...)根據用戶要求訂製

\*不帶電機重量為：6.2kg

\*輸入尺寸 (Pm, Dm, bm, tm) 參考第47頁圖表

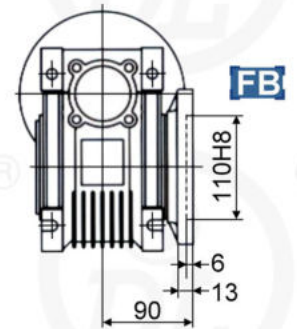
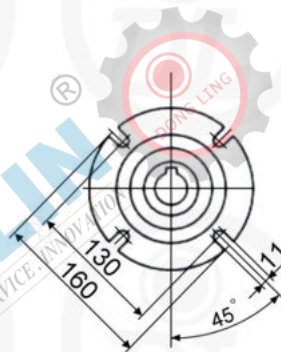
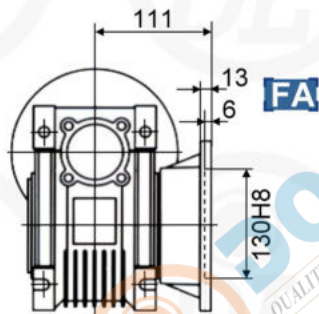
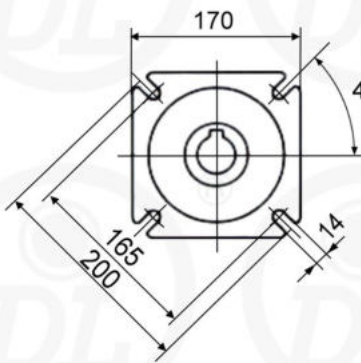
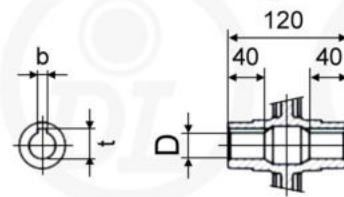
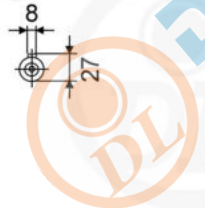
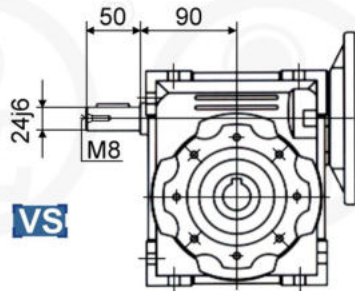
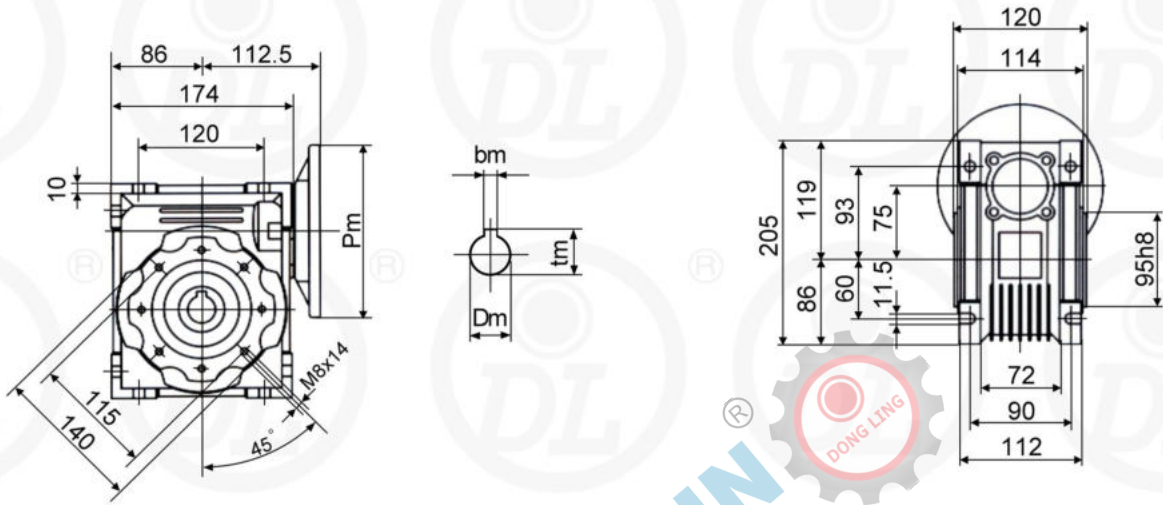
(...)Only on request

\*Weight without motor : 6.2kg

\*For the dimensions concerning the motor connection area(Pm · Dm · bm · tm) please refer to the table shown at page 38

# 減速機外型尺寸 Dimensions

## NMRV075



輸出 / Output		
D H8	b	t
28	8	31.3
(35)	(10)	(38.3)

(..)根據用戶要求訂製

\*不帶電機重量為：9kg

\*輸入尺寸 (Pm, Dm, bm, tm) 參考第47頁圖表

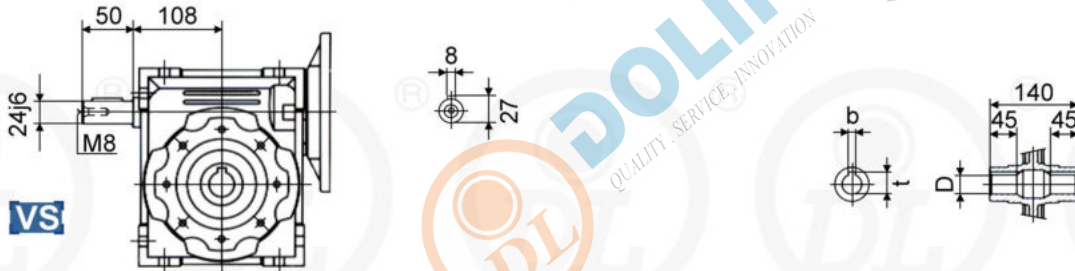
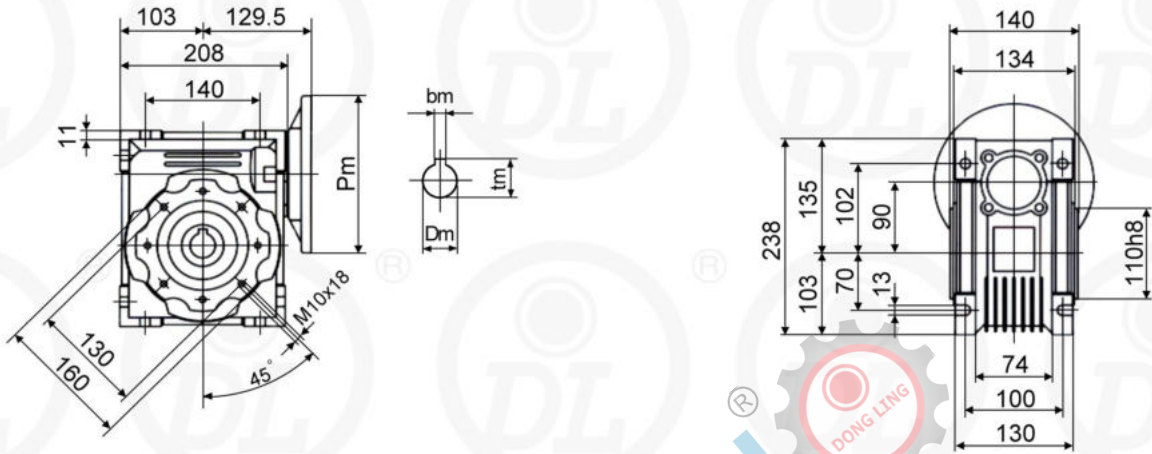
(..)Only on request

\*Weight without motor : 9kg

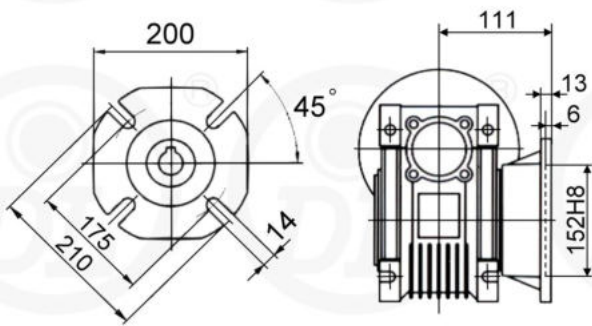
\*For the dimensions concerning the motor connection area(Pm · Dm · bm · tm) please refer to the table shown at page 38

# 減速機外型尺寸 Dimensions

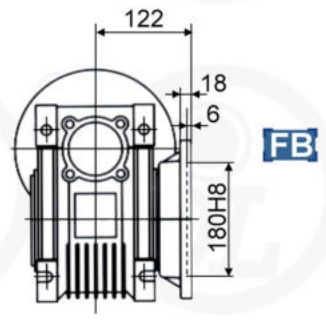
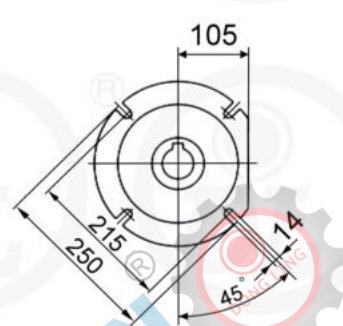
## NMRV090



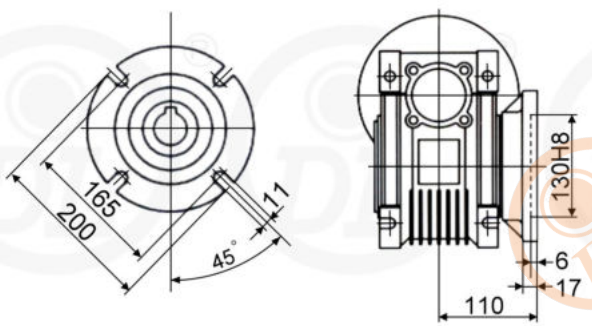
VS



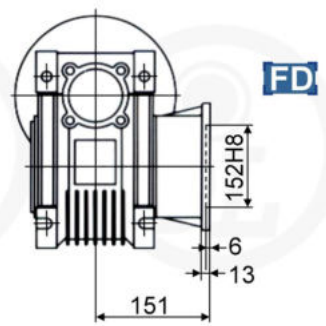
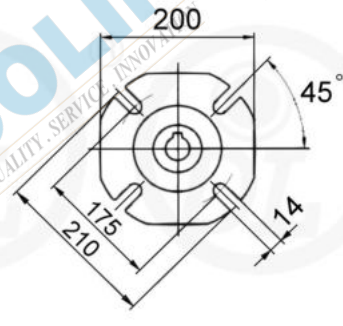
FA



FB



FC



FD

輸出 / Output		
D H8	b	t
35	10	38.3
(38)	(10)	(41.3)

(..)根據用戶要求訂製

\*不帶電機重量為：13kg

\*輸入尺寸 (Pm, Dm, bm, tm) 參考第47頁圖表

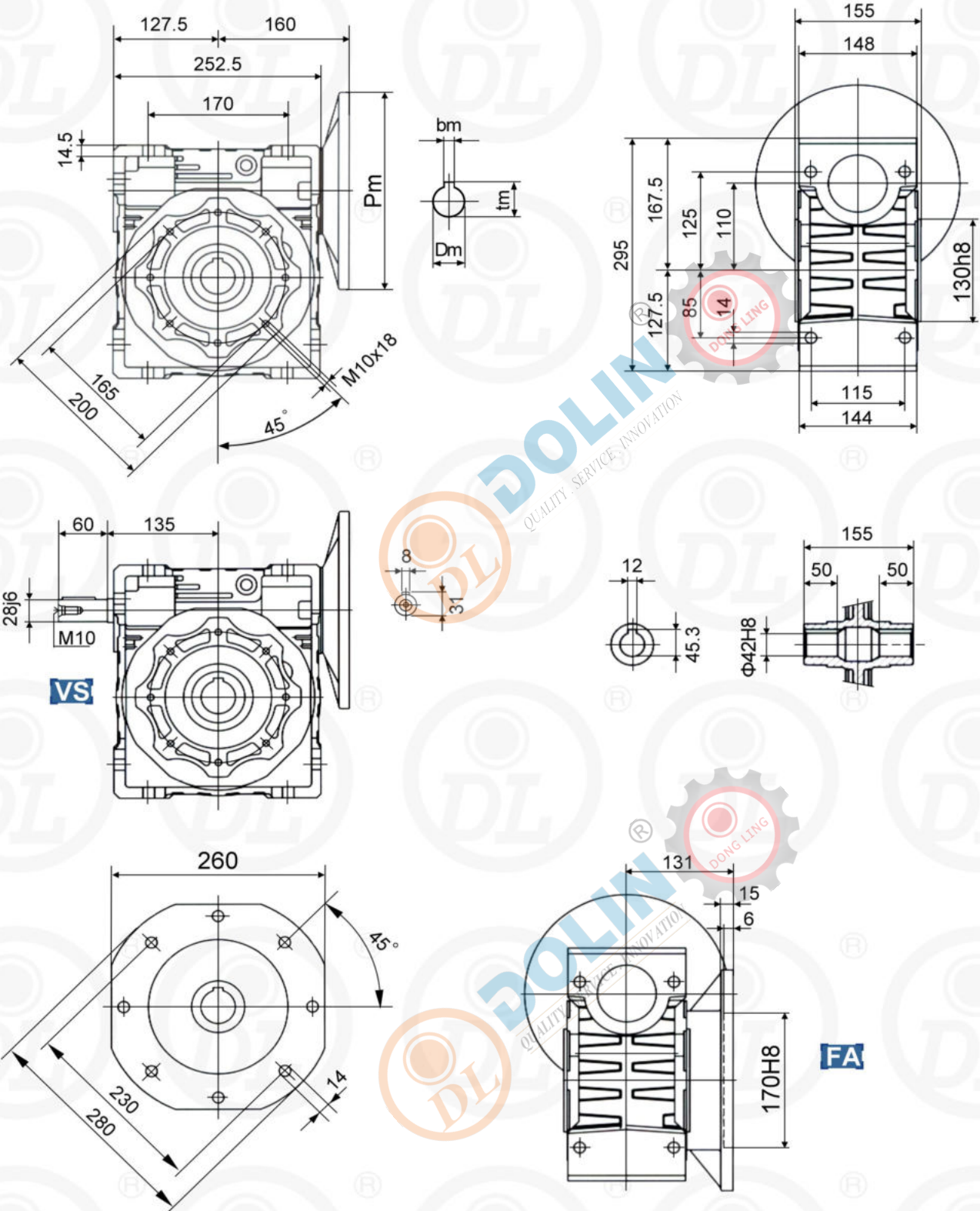
(..)Only on request

\*Weight without motor : 13kg

\*For the dimensions concerning the motor connection area(Pm · Dm · bm · tm) please refer to the table shown at page 38

# 減速機外型尺寸 Dimensions

## NMRV110

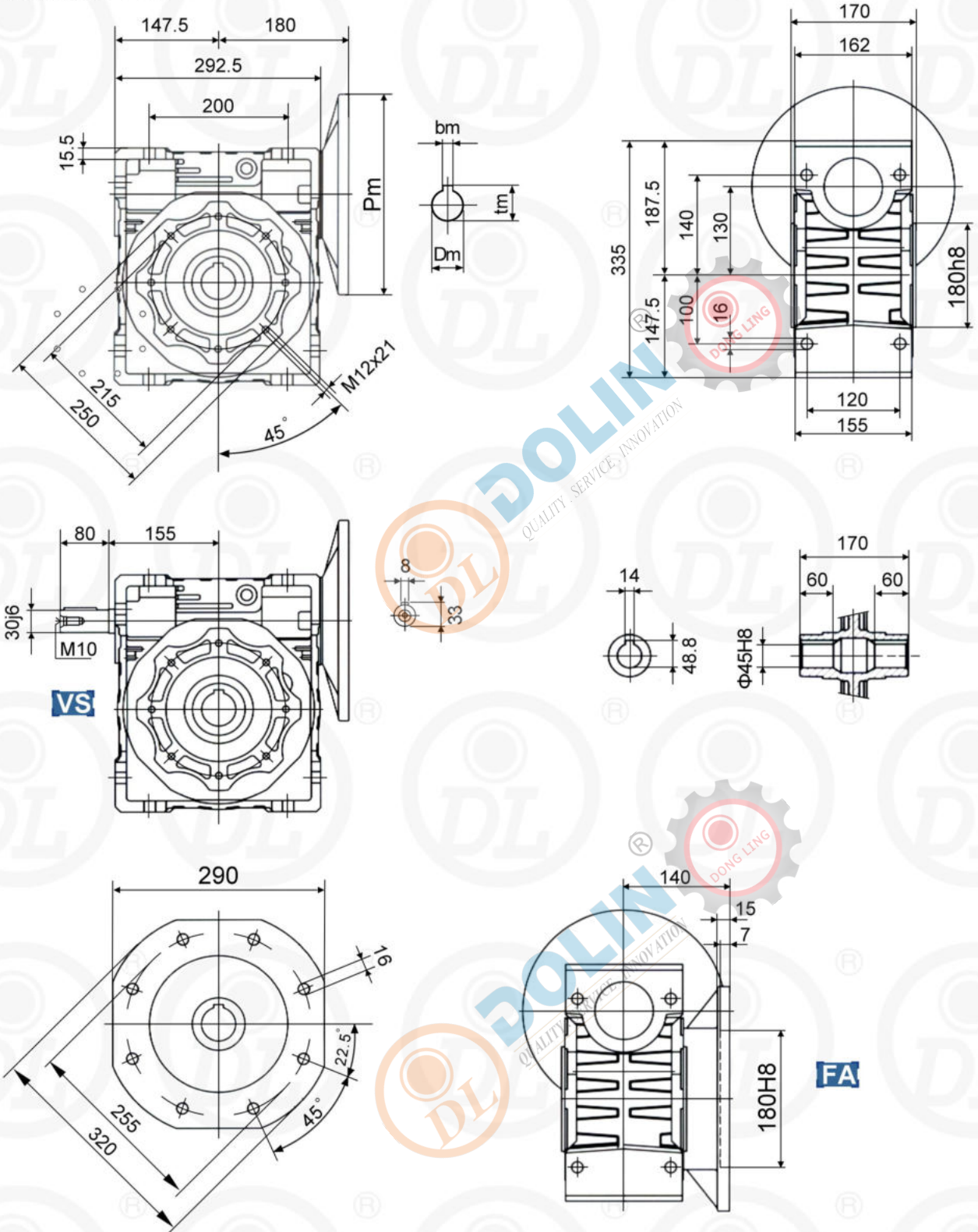


\*不帶電機重量為：35kg  
 \*輸入尺寸 (Pm, Dm, bm, tm) 參考第47頁圖表  
 \*Weight without motor : 35kg  
 \*For the dimensions concerning the motor connection area(Pm , Dm , bm , tm)  
 please refer to the table shown at page 38



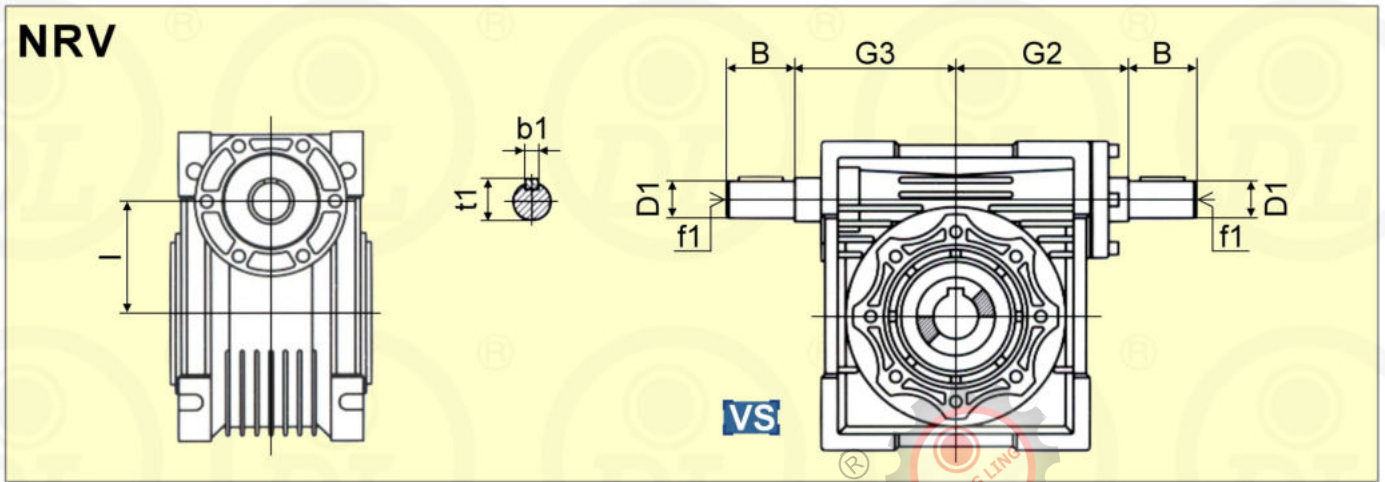
# 減速機外型尺寸 Dimensions

## NMRV130



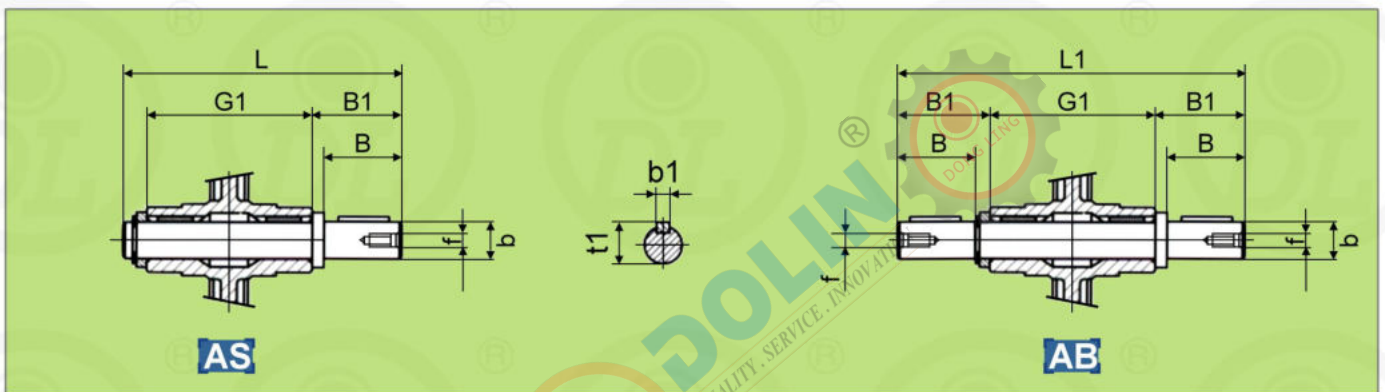
- \*不帶電機重量為：48kg
- \*輸入尺寸 (Pm, Dm, bm, tm) 參考第47頁圖表
- \*Weight without motor : 48kg
- \*For the dimensions concerning the motor connection area(Pm , Dm , bm , tm) please refer to the table shown at page 38

## NRV 外型尺寸 NRV Dimensions



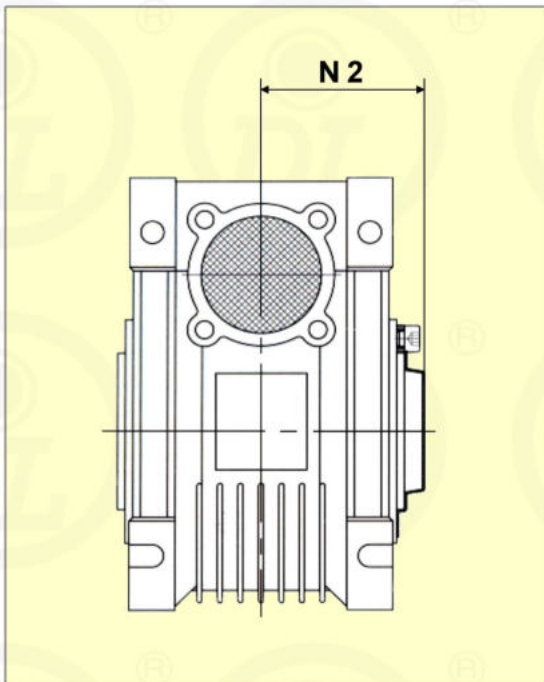
NRV	025	030	040	050	063	075	090	110	130
8	20	20	23	30	40	50	50	60	80
D1	9 j6	9 j6	11 j6	14 j6	19 j6	24 j6	24 j6	28 j6	30 j6
G2	38	51	60	74	90	105	125	142	162
G3	37	45	53	64	75	90	108	135	155
l	25	30	40	50	63	75	90	110	130
b1	3	3	4	5	6	8	8	8	8
f1	-	-	-	M6	M6	M8	M8	M10	M10
t1	10.2	10.2	12.5	16	21.5	27	27	31	33

## 低速軸 Low speed shafts



	b	B	B1	G1	L	L1	f	b1	t1
025	11g6 (9)	23 (25)	25.5 (30)	50	81 (85.5)	101	-	4 (3)	12.5 (10.2)
030	14g6	30	32.5	63	102	128	M6	5	16
040	18h6	40	43	78	128	164	M6	6	20.5
050	25h6	50	53.5	92	153	199	M10	8	28
063	25h6	50	53.5	112	173	219	M10	8	28
075	28h6	60	63.5	120	192	247	M10	8	31
090	35h6	80	84.5	140	234	309	M12	10	38
110	42h6	80	84.5	155	249	324	M16	12	45
130	45h6	80	85	170	265	340	M16	14	48.5

## 外罩 Cover



	N2
<b>030</b>	42
<b>040</b>	50
<b>050</b>	58
<b>063</b>	69
<b>075</b>	74
<b>090</b>	86
<b>110</b>	94
<b>130</b>	102

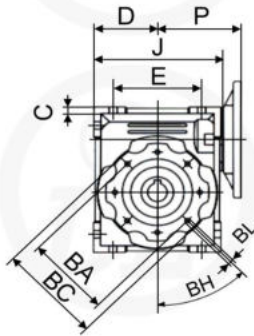
## 扭力臂 Torque arm



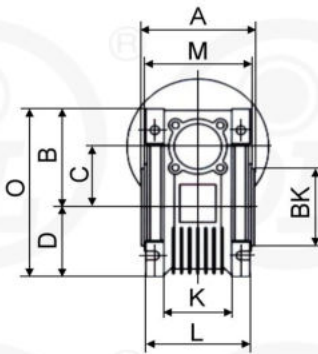
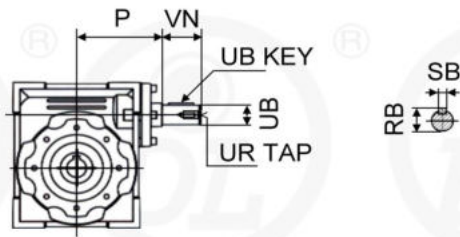
	K1	G	KG	KH	R
<b>025</b>	70	14	17.5	8	15
<b>030</b>	85	14	24	8	15
<b>040</b>	100	14	31.5	10	18
<b>050</b>	100	14	38.5	10	18
<b>063</b>	150	14	49	10	18
<b>075</b>	200	25	47.5	20	30
<b>090</b>	200	25	57.5	20	30
<b>110</b>	250	30	62	25	35
<b>130</b>	250	30	69	25	35

## NMRV 英制系列 Inch series

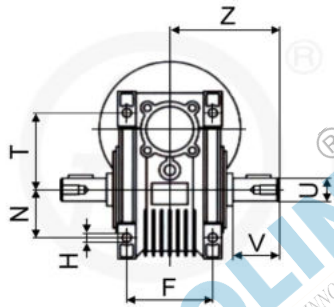
**NMRV**



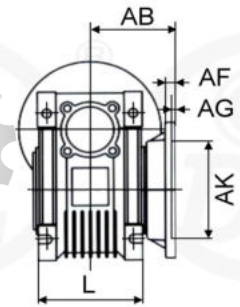
**NRV**



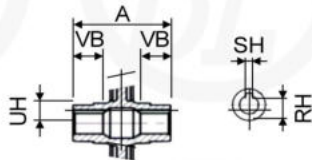
**Shaft Mount**



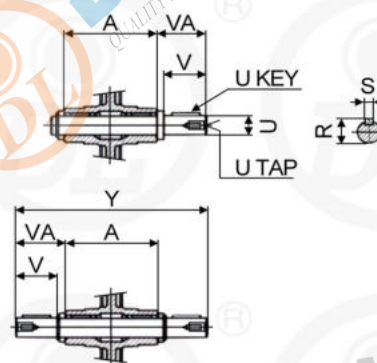
**Foot Mount**



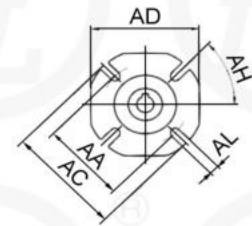
**Flange Mount**



**Hollow Output Bore**



**Output Shaft**



**Output Flange**

Hollow Output	030	040	050	063	075	090	110	130
RH	0.71	0.84	1.12	1.24	1.37	1.52	1.80	1.93
SH	0.188	0.188	0.25	0.25	0.25	0.313	0.375	0.375
UH	0.625 <sup>0</sup> <sub>-0.001</sub>	0.75 <sup>0</sup> <sub>+0.001</sub>	1 <sup>0</sup> <sub>-0.001</sub>	1.125 <sup>0</sup> <sub>+0.001</sub>	1.25 <sup>0</sup> <sub>+0.001</sub>	1.375 <sup>0</sup> <sub>+0.001</sub>	1.625 <sup>0</sup> <sub>+0.001</sub>	1.75 <sup>0</sup> <sub>+0.001</sub>
VB	0.83	1.14	1.28	1.42	1.56	1.77	1.97	2.24

Output Shaft	030	040	050	063	075	090	110	130
R	0.7	0.83	1.11	1.23	1.36	1.51	1.79	1.92
S	0.188	0.188	0.25	0.25	0.25	0.31	0.38	0.38
U	0.625 <sup>0</sup> <sub>-0.0005</sub>	0.75 <sup>0</sup> <sub>-0.0005</sub>	1 <sup>0</sup> <sub>-0.0005</sub>	<sup>0</sup> <sub>-0.0005</sub>	1.25 <sup>0</sup> <sub>-0.0005</sub>	1.375 <sup>0</sup> <sub>-0.0005</sub>	1.625 <sup>0</sup> <sub>-0.0005</sub>	1.75 <sup>0</sup> <sub>-0.0005</sub>
U KEY	0.1875x1.125	0.1875x1.5	0.25x1.5	0.25x1.875	0.25x2.25	0.3125x2.5	0.375x2.75	0.375x2.75
UT	1/4-20	1/4-20	3/8-16	3/8-16	1/2-13	1/2-13	5/8-11	5/8-11
V	1.57	1.97	1.97	2.36	2.76	3.15	3.54	3.54
VA	1.67	2.09	2.11	2.5	2.89	3.33	3.72	3.74
Y	5.82	7.25	7.84	9.41	10.5	12.17	13.54	14.17

## NMRV 英制系列 Inch series

	030	040	050	063	075	090	110	130
<b>A</b>	2.48	3.07	3.62	4.41	4.72	5.51	6.1	6.69
<b>B</b>	2.24	2.81	3.31	4.02	4.69	5.31	6.59	7.38
<b>BA</b>	2.56	2.95	3.35	3.74	4.53	5.12	6.5	8.46
<b>BC</b>	2.95	3.43	3.94	4.33	5.51	6.3	7.87	9.84
<b>BH</b>	90°	45°	45°	45°	45°	45°	45°	45°
<b>BK</b>	2.165 <sup>0</sup> <sub>-0.0018</sub>	2.362 <sup>0</sup> <sub>-0.0018</sub>	2.756 <sup>0</sup> <sub>-0.0018</sub>	3.15 <sup>0</sup> <sub>-0.0021</sub>	3.74 <sup>0</sup> <sub>-0.0021</sub>	4.331 <sup>0</sup> <sub>-0.0021</sub>	5.118 <sup>0</sup> <sub>-0.0025</sub>	7.087 <sup>0</sup> <sub>-0.0025</sub>
<b>BL</b>	M6x11	M6x10	M8x10	M8x14	M8x14	M10x18	M10x18	M12x21
<b>C</b>	1.18	1.57	1.97	2.48	2.95 <sup>®</sup>	3.54	4.33	5.12
<b>D</b>	1.57	1.97	2.36	2.83	3.39	4.06	5.02	5.81
<b>E</b>	2.13	2.76	3.15	3.94	4.72	5.51	6.69	7.87
<b>F</b>	1.73	2.36	2.76	3.35	3.54	3.94	4.53	4.72
<b>G</b>	0.22	0.26	0.28	0.31	0.39	0.43	0.57	0.61
<b>H</b>	0.26	0.26	0.33	0.33	0.45	0.51	0.55	0.63
<b>J</b>	3.15	3.98	4.76	5.75	6.85	8.19	9.94	11.52
<b>K</b>	1.26	1.69	1.93	2.64	2.83	2.91	-	-
<b>L</b>	2.2	2.8	3.35	4.06	4.41	5.12	5.67	6.1
<b>M</b>	2.28	2.87	3.43	4.17	4.49	5.28	5.83	6.38
<b>N</b>	1.06	1.38	1.57	1.97	2.36	2.76	3.35	3.94
<b>O</b>	3.82	4.78	5.67	6.85	8.07	9.37	11.61	13.19
<b>P</b>	2.64	3.15	3.54	4.13	4.96 <sup>®</sup>	5.63	6.81	7.6
<b>Q</b>	0.83	2.36	2.91	3.54	4.13	4.92	5.59	6.38
<b>T</b>	1.73	2.17	2.52	3.15	3.66	4.02	4.92	5.51
<b>Z</b>	2.91	3.63	3.92	4.71	5.25	6.09	6.77	7.09

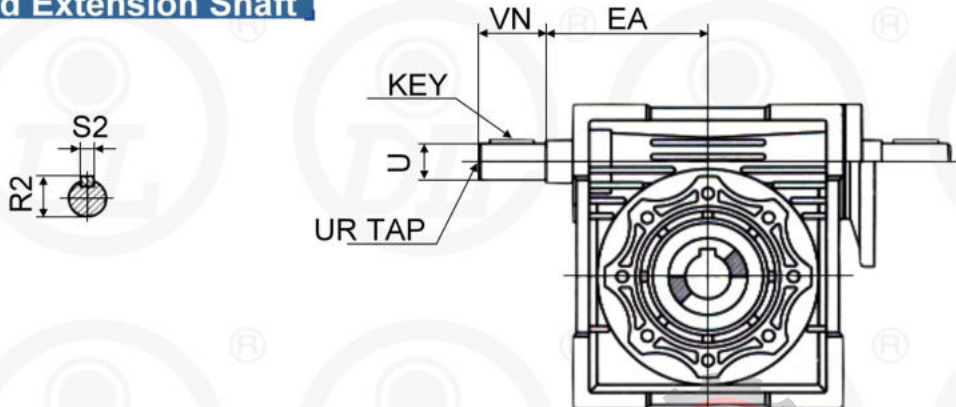
## NMRV 英制系列 Inch series

Output Flange	AA	AB	AC	AD	AF	AG	AH	AK	AL	
<b>030</b>	FA	2.68	2.15	3.15	2.76	0.24	0.16	45°	1.969 <sub>0</sub> <sup>-0.0015</sup>	0.26
<b>040</b>	FA	2.95	2.64	4.33	3.74	0.28	0.16	45°	2.362 <sub>0</sub> <sup>-0.0018</sup>	0.35
	FB	2.95	3.82	4.33	3.74	0.28	0.16	45°	2.362 <sub>0</sub> <sup>-0.0018</sup>	0.35
	FC	4.53	3.15	5.51	-	0.35	0.2	45°	3.74 <sub>0</sub> <sup>-0.0021</sup>	0.37
	FD	3.94	2.28	4.72	-	0.47	0.2	45°	3.15 <sub>0</sub> <sup>-0.0018</sup>	0.35
<b>050</b>	FA	3.35	3.54	4.92	4.33	0.35	0.2	45°	2.756 <sub>0</sub> <sup>-0.0018</sup>	0.43
	FB	3.35	4.72	4.92	4.33	0.35	0.2	45°	2.756 <sub>0</sub> <sup>-0.0018</sup>	0.43
	FC	5.12	3.5	6.3	-	0.39	0.2	45°	4.331 <sub>0</sub> <sup>-0.0021</sup>	0.37
	FD	4.53	2.83	5.51	-	0.57	0.2	45°	3.543 <sub>0</sub> <sup>-0.0021</sup>	0.43
<b>063</b>	FA	4.13	3.23	7.09	5.59	0.39	0.24	45°	4.528 <sub>0</sub> <sup>-0.0021</sup>	0.43
	FB	5.91	4.41	7.09	5.59	0.39	0.24	45°	4.528 <sub>0</sub> <sup>-0.0021</sup>	0.43
	FC	6.5	3.86	7.87	-	0.39	0.2	45°	5.118 <sub>0</sub> <sup>-0.0025</sup>	0.43
	FD	6.5	4.21	7.87	-	0.39	0.2	45°	5.118 <sub>0</sub> <sup>-0.0025</sup>	0.43
<b>075</b>	FE	5.12	3.17	6.3	-	0.65	0.2	45°	4.331 <sub>0</sub> <sup>-0.0021</sup>	0.43
	FA	6.5	4.37	7.87	6.69	0.51	0.24	45°	5.118 <sub>0</sub> <sup>-0.0025</sup>	0.43
	FB	5.12	3.54	6.3	-	0.51	0.24	45°	4.331 <sub>0</sub> <sup>-0.0021</sup>	0.55
<b>090</b>	FA	6.89	4.37	8.27	8.27	0.51	0.24	45°	5.984 <sub>0</sub> <sup>-0.0025</sup>	0.55
	FB	8.46	4.8	9.84	-	0.71	0.24	45°	7.087 <sub>0</sub> <sup>-0.0025</sup>	0.55
	FC	6.5	4.33	7.87	-	0.67	0.24	45°	5.118 <sub>0</sub> <sup>-0.0025</sup>	0.43
	FD	6.89	5.94	8.27	-	0.51	0.24	45°	5.984 <sub>0</sub> <sup>-0.0025</sup>	0.55
<b>110</b>	FA	9.06	5.16	11.02	10.24	0.59	0.24	45°	6.693 <sub>0</sub> <sup>-0.0025</sup>	0.55
	FB	9.06	7.09	11.02	10.24	0.59	0.24	45°	6.693 <sub>0</sub> <sup>-0.0025</sup>	0.55
<b>130</b>	FA	10.04	5.51	12.6	11.42	0.59	0.24	22.5°	7.087 <sub>0</sub> <sup>-0.0025</sup>	0.63

Input Flange	030	040	050	063	075	090	110	130
<b>SB</b>	0.094	0.125	0.188	0.188	0.188	0.188	0.25	0.25
<b>RB</b>	0.42	0.55	0.7	0.83	0.96	0.96	1.24	1.36
<b>UB</b>	0.375 <sub>0</sub> <sup>-0.0005</sup>	0.5 <sub>0</sub> <sup>-0.0005</sup>	0.625 <sub>0</sub> <sup>-0.0005</sup>	0.75 <sub>0</sub> <sup>-0.0005</sup>	0.875 <sub>0</sub> <sup>-0.0005</sup>	0.875 <sub>0</sub> <sup>-0.0005</sup>	1.125 <sub>0</sub> <sup>-0.0005</sup>	1.125 <sub>0</sub> <sup>-0.0005</sup>
<b>UB KEY</b>	0.094x0.875	0.125x0.875	0.1875x1.125	0.1875x1.5	0.1875x1.875	0.1875x1.875	0.25x2.25	0.25x2.5
<b>UR</b>	-	1/4-20	1/4-20	1/4-20	1/4-20	1/4-20	3/8-16	1/2-13
<b>VN</b>	1.18	1.18	1.58	1.97	2.36	2.36	2.76	3.15

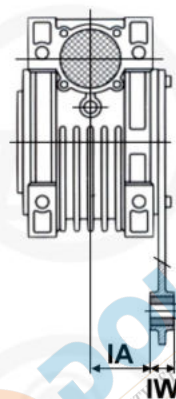
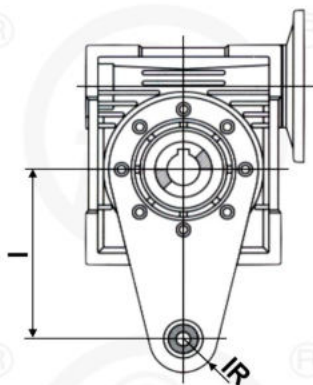
## NMRV 英制系列 Inch series

### High Speed Extension Shaft

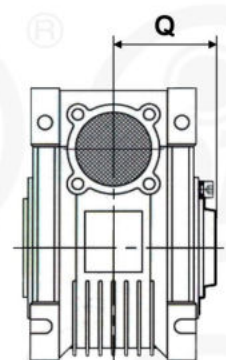


	EA	U	VN	UR	S2	R2	KEY	
							Length	Square
030	1.772	0.375 <sup>0</sup> <sub>-0.0005</sub>	1.18	-	0.093	0.42	0.875	0.094
040	2.087	0.5 <sup>0</sup> <sub>-0.0005</sub>	1.18	1/4-20	0.13	0.55	0.875	0.125
050	2.52	0.625 <sup>0</sup> <sub>-0.0005</sub>	1.58	1/4-20	0.19	0.7	1.125	0.188
063	2.953	0.75 <sup>0</sup> <sub>-0.0005</sub>	1.97	1/4-20	0.19	0.83	1.5	0.188
075	3.543	0.875 <sup>0</sup> <sub>-0.0005</sub>	2.36	1/4-20	0.19	0.96	1.875	0.188
090	4.252	0.875 <sup>0</sup> <sub>-0.0005</sub>	2.36	1/4-20	0.19	0.96	1.875	0.188
110	5.315	1.125 <sup>0</sup> <sub>-0.0005</sub>	2.76	3/8-16	0.25	1.24	2.25	0.25
130	6.102	1.25 <sup>0</sup> <sub>-0.0005</sub>	3.15	1/2-13	0.25	1.36	2.5	0.25

### Torque Arm



### Protective Cover



	I	IA	IL	IR	IW
025	2.76	0.69	0.31	0.59	0.55
030	3.35	0.94	0.31	0.59	0.55
040	3.94	1.24	0.39	0.71	0.55
050	3.94	1.52	0.39	0.71	0.55
063	5.91	1.93	0.39	0.71	0.55
075	7.87	1.87	0.79	1.18	0.98
090	7.87	2.26	0.79	1.18	0.98
110	9.84	2.44	0.98	1.38	1.18
130	9.84	2.72	0.98	1.38	1.18

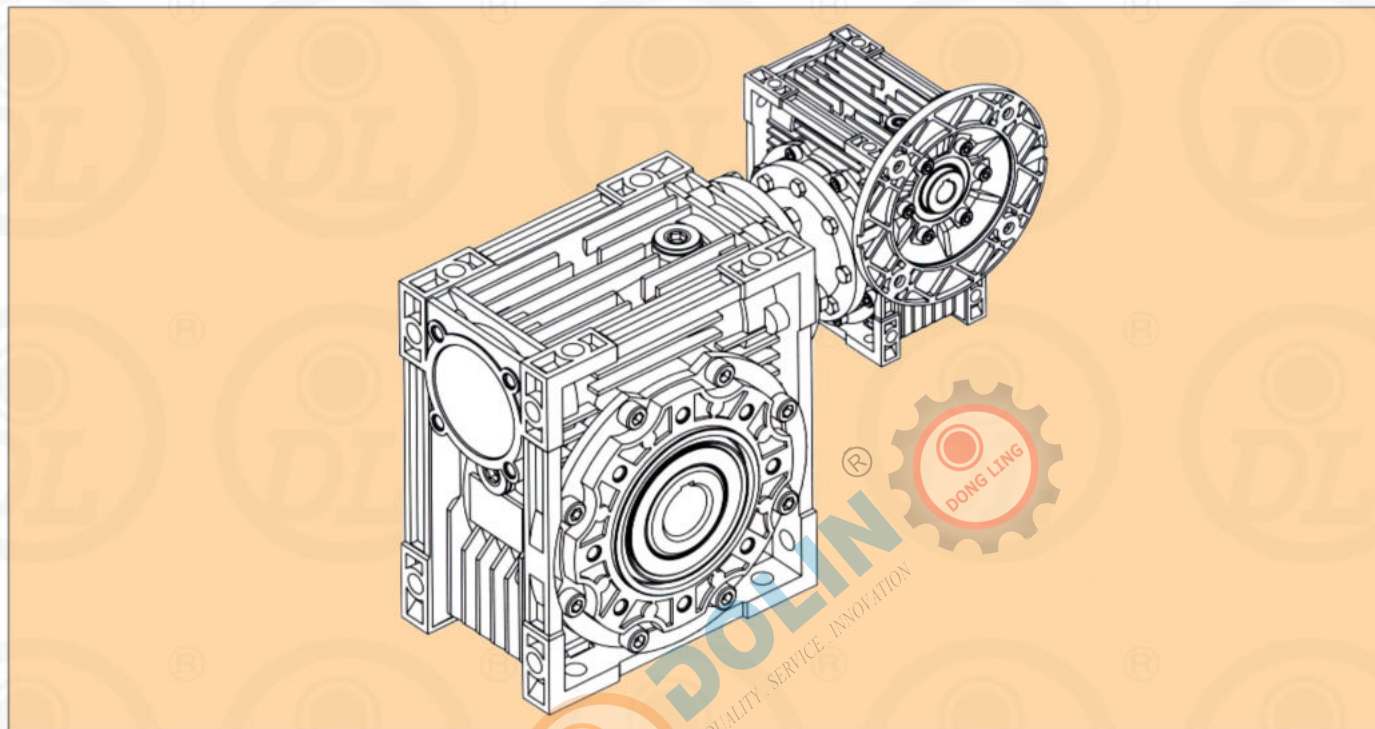
	Q
030	1.65
040	1.97
050	2.28
063	2.72
075	2.91
090	3.39
110	3.7
130	4.02

## NEMA Flange Availability

	NEMA Flange	Input Bore Diameter	Available Ratios											
			5	7.5	10	15	20	25	30	40	50	60	80	100
030	48C	0.5	●	●	●	●	●	●	●	●	●	●	●	
040	56C	0.625	●	●	●	●	●	●	●	●	●	●	●	●
050	56C	0.625	●	●	●	●	●	●	●	●	●	●	●	●
063	56C	0.625					●	●	●	●	●	●	●	●
	140TC	0.875		●	●	●	●	●	●					
075	56C	0.625									●	●	●	●
	140TC	0.875				●	●	●	●	●	●			
	180TC	1.125		●	●	●								
090	56C	0.625											●	●
	140TC	0.875						●	●	●	●			
	180TC	1.125		●	●	●	●	●	●	●	●			
110	140TC	0.875									●	●	●	●
	180TC	1.125					●	●	●	●	●	●		
	210TC	1.375		●	●	●	●							
130	140TC	0.875											●	●
	180TC	1.125								●	●	●	●	
	210TC	1.375		●	●	●	●	●	●	●	●			



## NMRV / NMRV

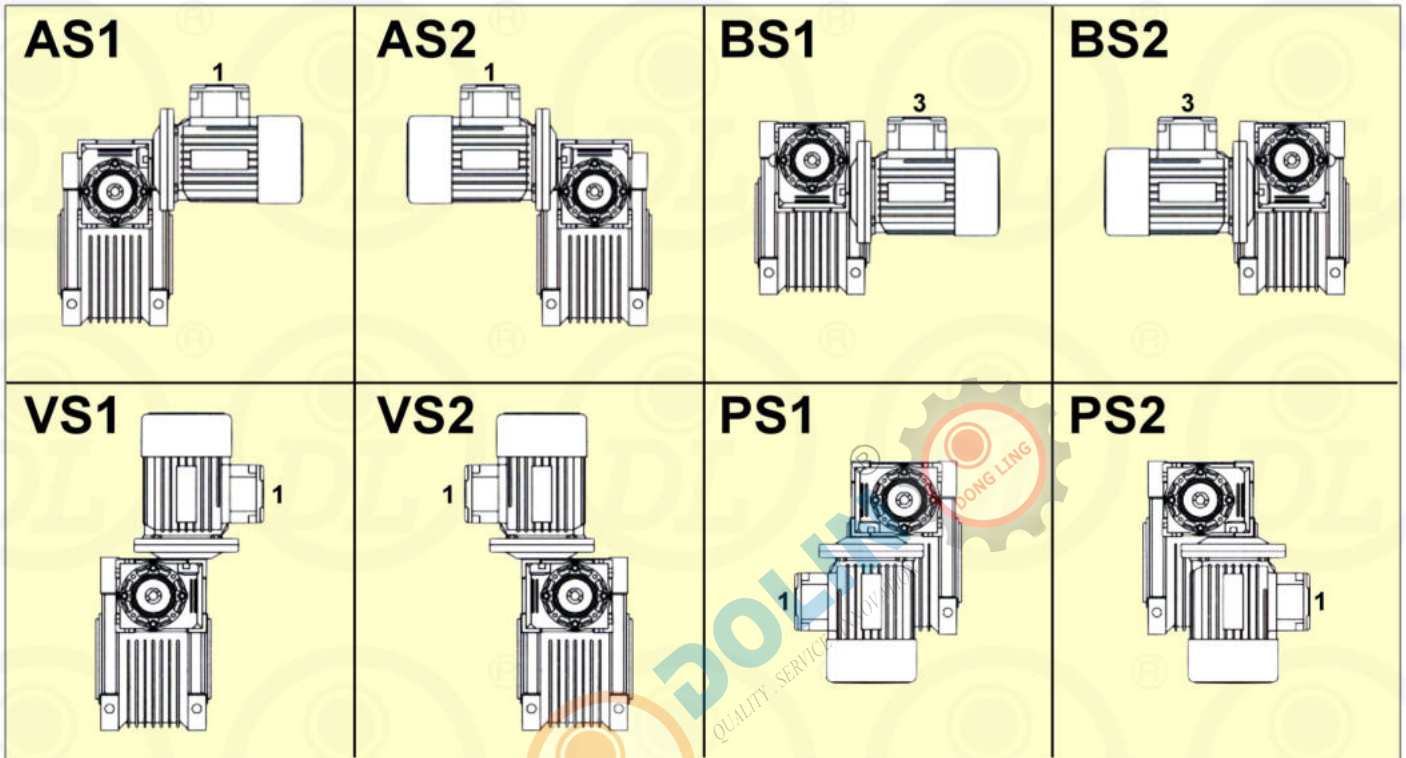


### NMRV-NMRV 型號標記 Model & marker

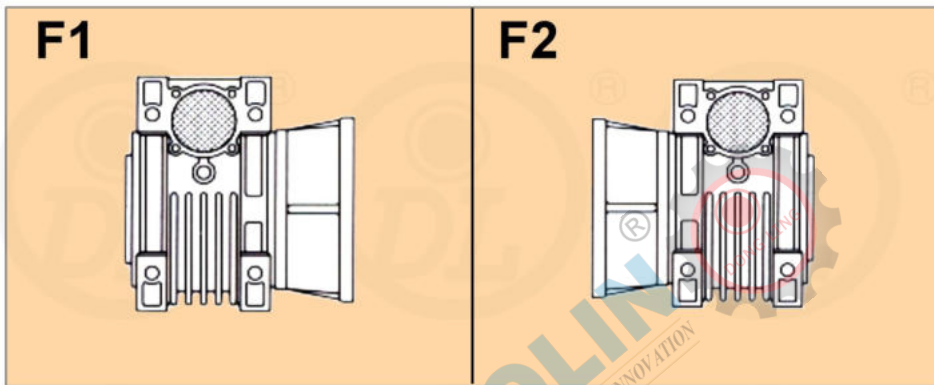
#### NMRV-040/090-500-VS-F1(FA)-AS-80B5-0.75kW-AS1

<b>NMRV+NMRV</b>	雙蝸輪減速器 Combined worm geared motor		
<b>NRV+NMRV</b>	雙蝸輪減速器(配接輸入軸) Combined worm reduction unit		
<b>040/090</b>	蝸輪減速器中心距 Center distance		
<b>500</b>	減速比 Reduction ratio		
<b>VS</b>	雙向輸入軸 Double input shaft	<b>F1(FA)</b>	輸出法蘭位置及型號 Output flange
<b>AS</b>	單向輸出軸 Single output shaft	<b>AB</b>	雙向輸出軸 Double output shaft
<b>PAM</b>	電機連接 Fitted for motor coupling	<b>80B5</b>	電機機座號和安裝結構形式 Motor mounting facility
<b>0.75kW</b>	電機功率 Electric motor power	<b>AS1</b>	安裝方位 Mounting position

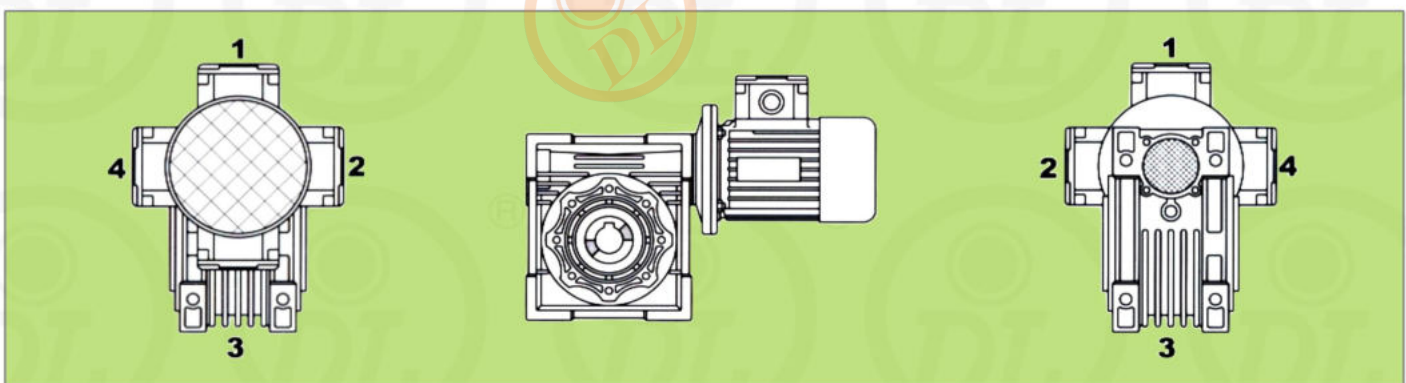
**NMRV-NMRV 安裝方位 Mounting positions**



**法蘭位置 Flange F-FL**



**接線盒安裝方式 Pos. of terminal box**



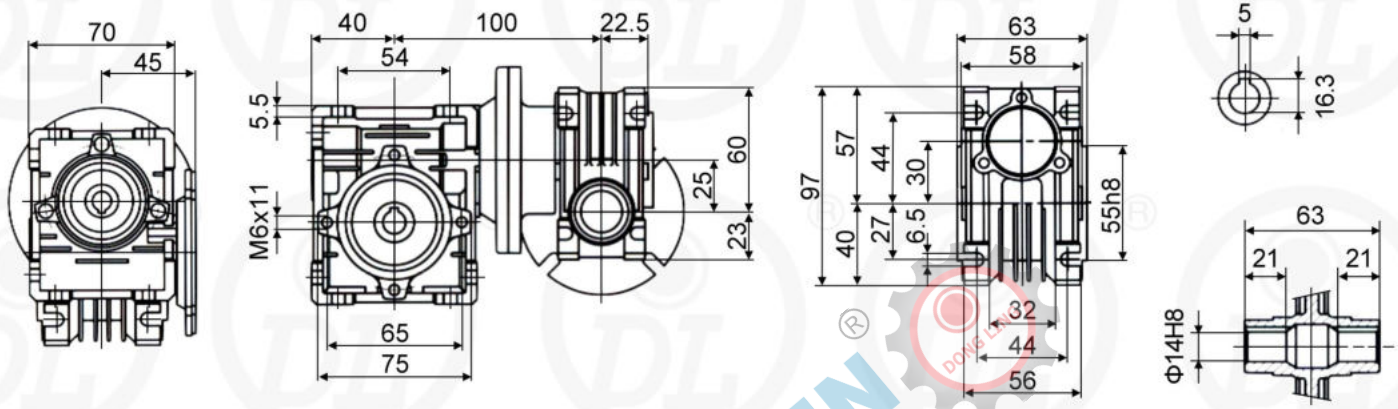
# NMRV-NMRV 性能參數表 Parameter table

n1=1400rpm

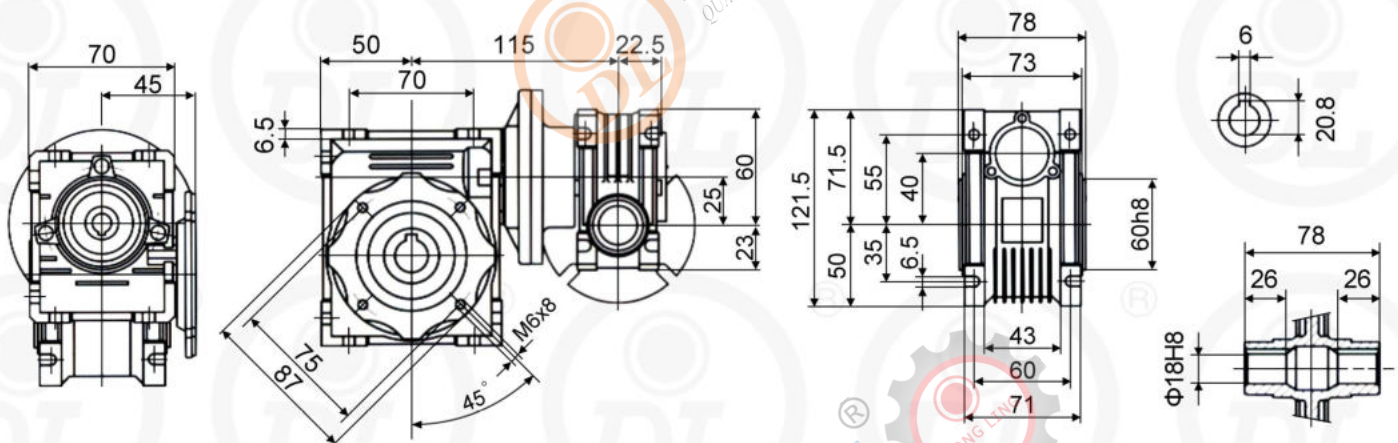
	i	n2	kW1	M2 (Nm)	i1	i2
<b>NRV 030/040</b>	300	4.7	0.08	73	10	30
	400	3.5	0.06	65	10	40
	500	2.8	0.04	61	20	25
	600	2.3	0.04	73	20	30
	750	1.9	0.04	73	25	30
	900	1.6	0.03	73	30	30
	1200	1.2	0.02	65	30	40
	1500	0.9	0.02	73	50	30
	1800	0.8	0.02	73	60	30
	2400	0.58	0.01	65	60	40
	3200	0.4	0.01	65	80	40
	4000	0.4	0.01	33	50	80
5000	0.28	0.01	29	50	100	
<b>NRV 030/050</b>	300	4.7	0.15	145	10	30
	400	3.5	0.1	124	10	40
	500	2.8	0.09	120	10	50
	600	2.3	0.08	145	20	30
	750	1.9	0.07	145	25	30
	900	1.6	0.06	145	30	30
	1200	1.2	0.04	124	30	40
	1500	0.93	0.04	145	50	30
	1800	0.78	0.04	145	60	30
	2400	0.6	0.03	124	60	40
	3000	0.5	0.02	120	60	50
	4000	0.35	0.02	82	50	80
4800	0.29	0.02	82	60	80	
<b>NRV 030/063</b>	300	4.7	0.24	230	7.5	40
	400	3.5	0.19	230	10	40
	500	2.8	0.15	216	10	50
	600	2.3	0.13	230	15	40
	750	1.9	0.11	216	15	50
	900	1.6	0.09	198	15	60
	1200	1.2	0.08	230	30	40
	1500	0.93	0.06	216	30	50
	1800	0.78	0.05	198	30	60
	2400	0.58	0.05	230	60	40
	3000	0.47	0.04	216	60	50
	4000	0.35	0.03	172	50	80
5000	0.28	0.02	150	50	100	
<b>NRV 040/075</b>	300	4.7	0.36	390	10	30
	400	3.5	0.27	360	10	40
	500	2.8	0.21	320	10	50
	600	2.3	0.19	390	20	30
	750	1.9	0.16	390	25	30
	900	1.6	0.14	390	30	30
	1200	1.2	0.11	390	30	40
	1500	0.93	0.1	390	50	30
	1800	0.78	0.09	390	60	30
	2400	0.58	0.07	390	60	40
	3000	0.47	0.05	320	60	50
	4000	0.35	0.04	250	50	80
5000	0.28	0.03	230	50	100	
<b>NRV 050/110</b>	300	4.7	0.95	1100	10	30
	400	3.5	0.69	1030	10	40
	500	2.8	0.56	1000	10	50
	600	2.3	0.48	1030	15	40
	750	1.9	0.43	1100	25	30
	900	1.6	0.38	1100	30	30
	1200	1.2	0.27	1030	30	40
	1500	0.93	0.28	1100	50	30
	1800	0.78	0.23	1100	60	30
	2400	0.58	0.17	1030	60	40
	3000	0.47	0.14	1000	60	50
	4000	0.35	0.12	780	50	80
5000	0.28	0.09	710	50	100	
<b>NRV 063/130</b>	300	4.7	1.48	1760	10	30
	400	3.5	1.09	1650	10	40
	500	2.8	0.86	1550	10	50
	600	2.3	0.76	1650	15	40
	750	1.9	0.66	1760	25	30
	900	1.6	0.58	1760	30	30
	1200	1.2	0.43	1650	30	40
	1500	0.93	0.39	1760	50	30
	1800	0.78	0.35	1760	60	30
	2400	0.58	0.25	1650	60	40
	3000	0.47	0.2	1550	60	50
	4000	0.35	0.15	1220	50	80
5000	0.28	0.11	1100	50	100	

# NMRV-NMRV 外型尺寸 Dimensions

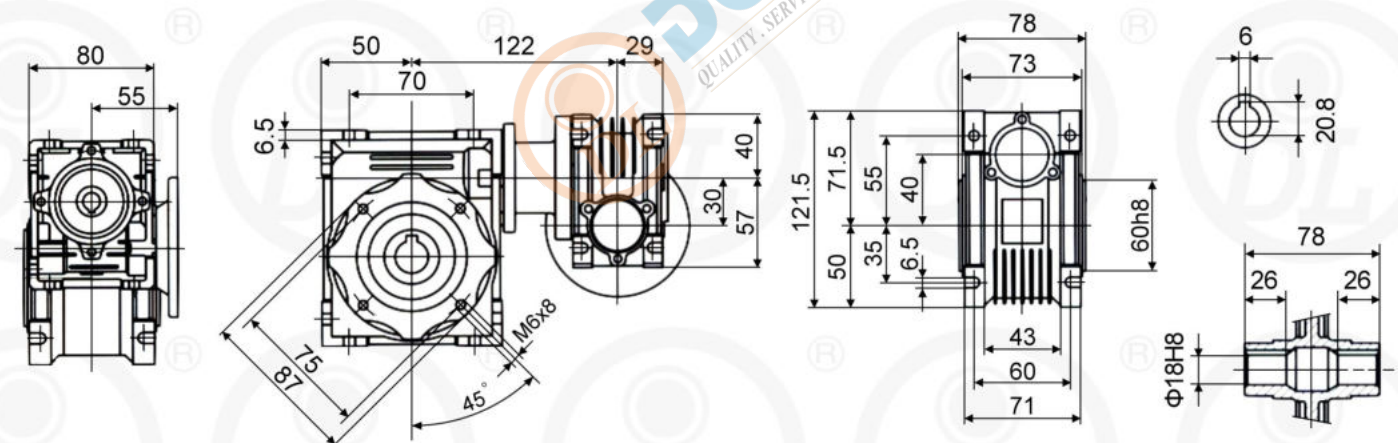
## NMRV 025 - NMRV 030



## NMRV 025 - NMRV 040

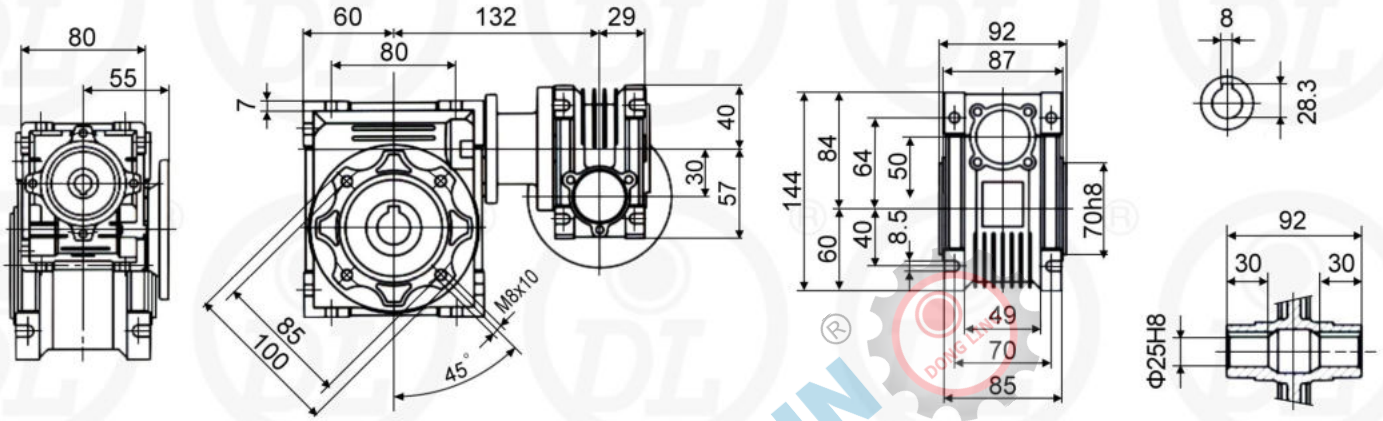


## NMRV 030 - NMRV 040

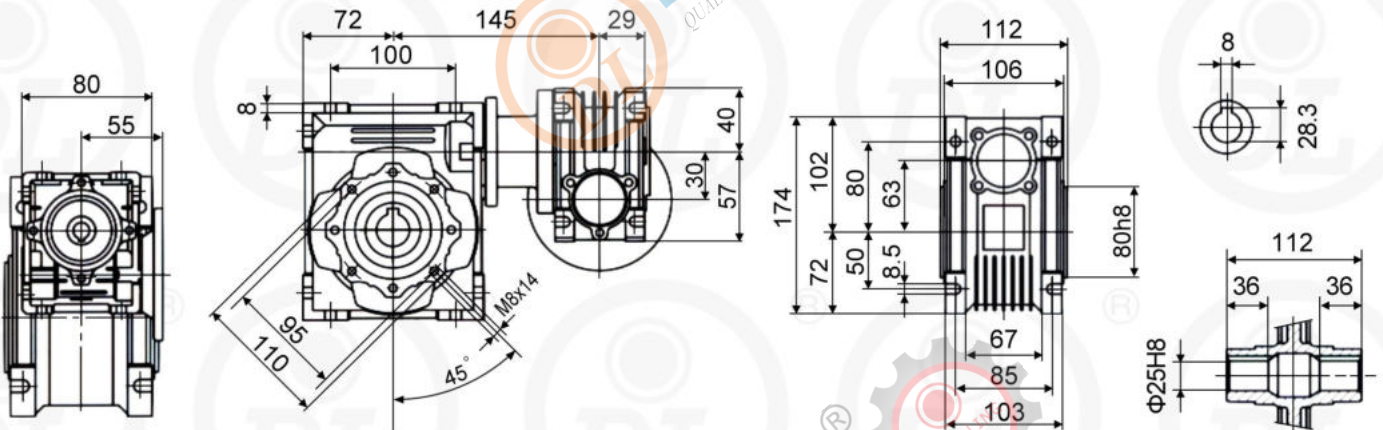


# NMRV-NMRV 外型尺寸 Dimensions

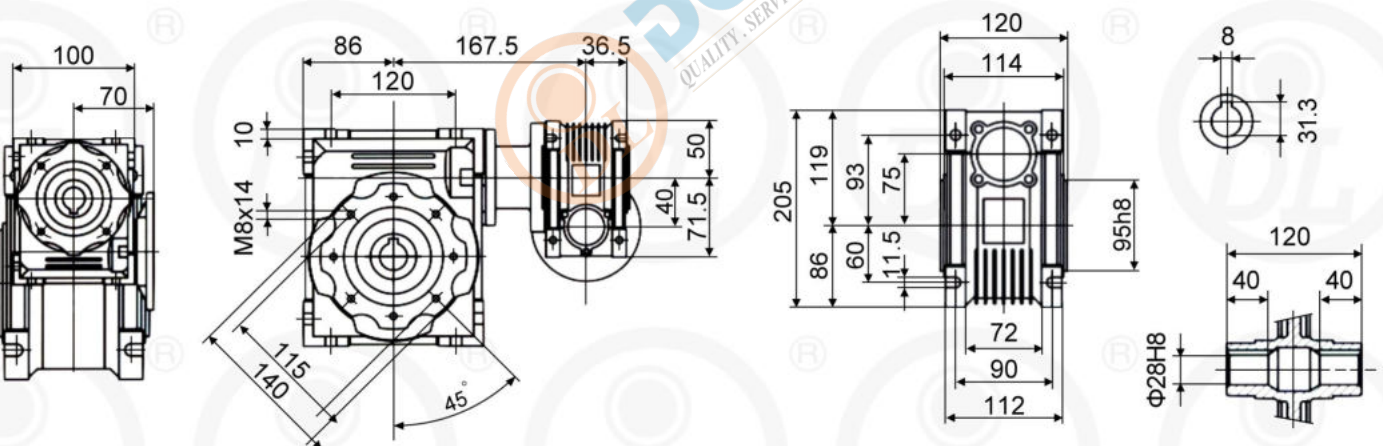
## NMRV 030 - NMRV 050



## NMRV 030 - NMRV 063

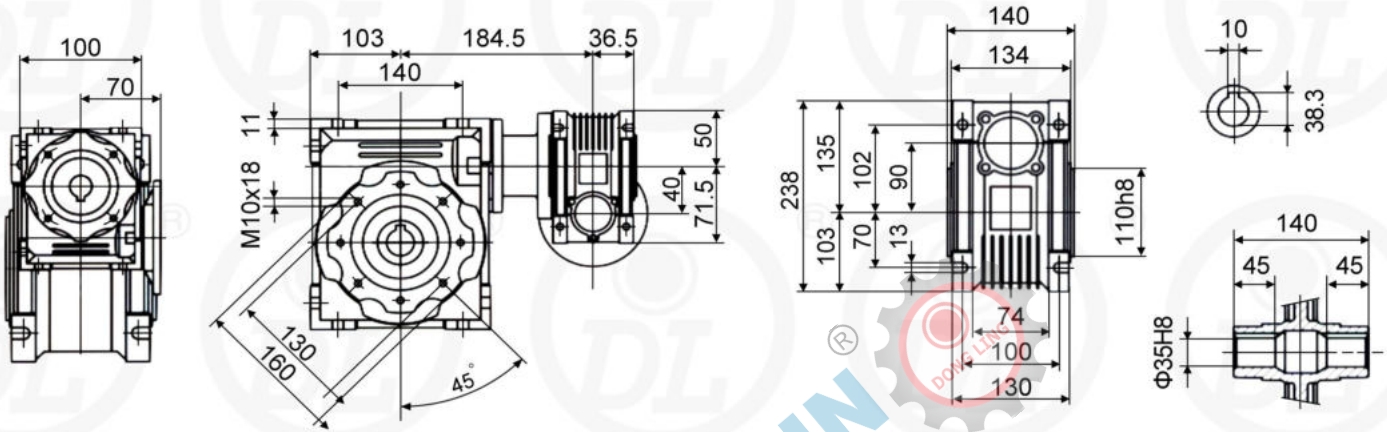


## NMRV 040 - NMRV 075

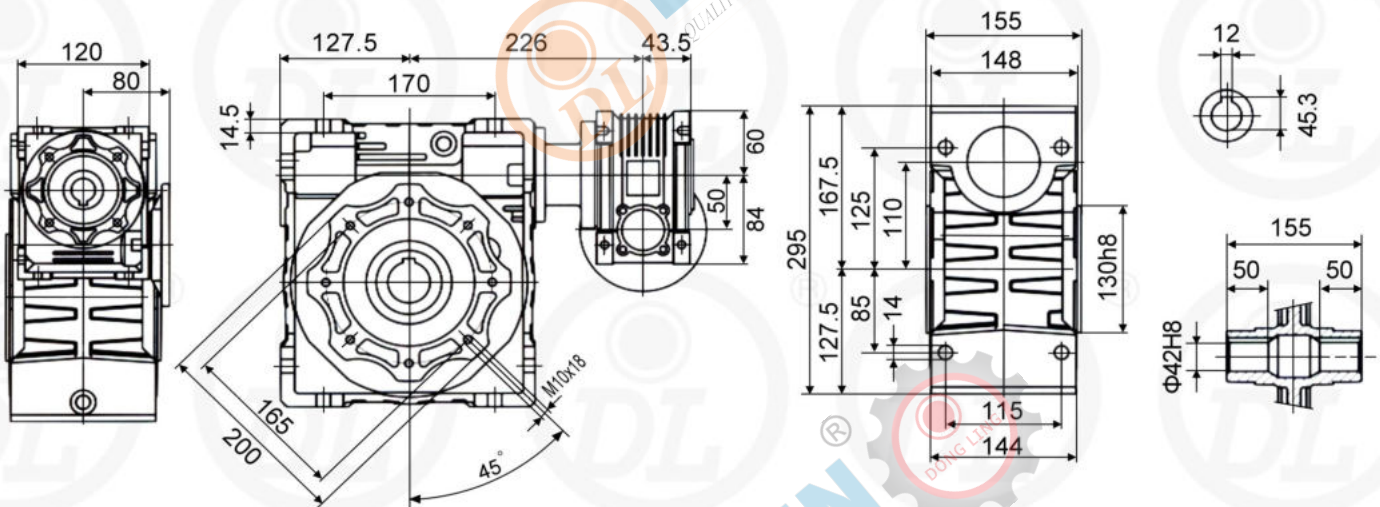


## NMRV-NMRV 外型尺寸 Dimensions

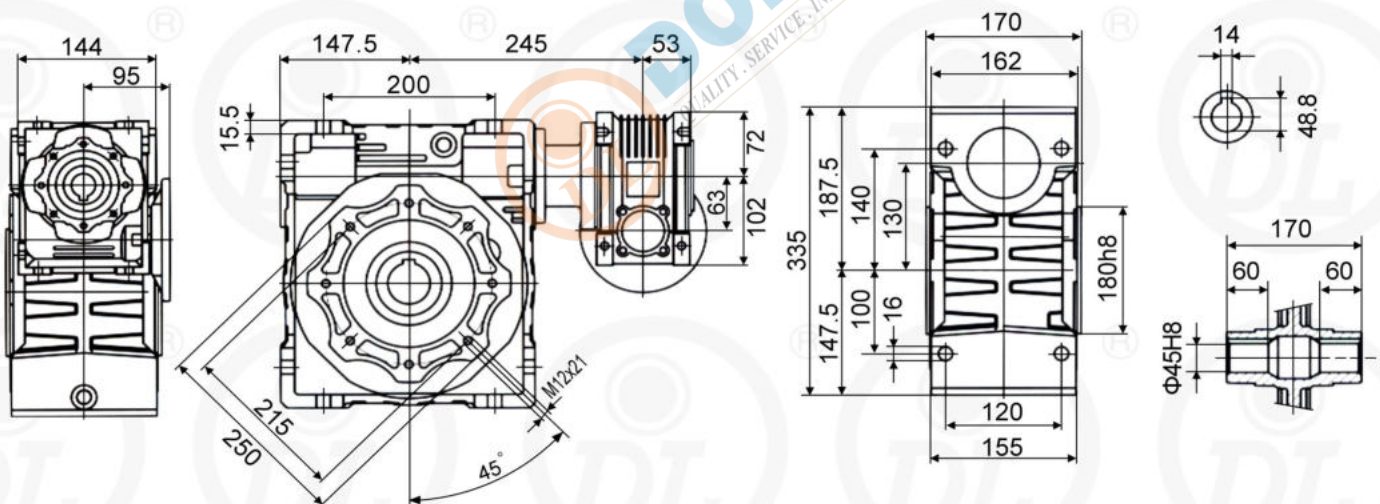
### NMRV 040 - NMRV 090



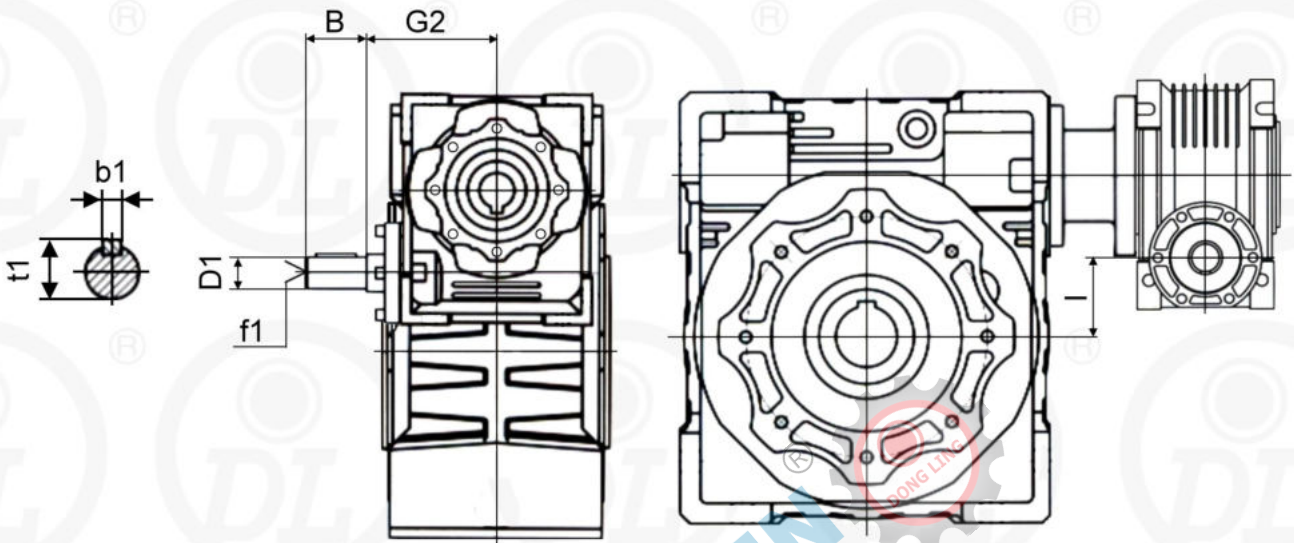
### NMRV 050 - NMRV 110



### NMRV 063 - NMRV 130



## NRV-NMRV 外型尺寸 Dimensions



NRV-NMRV	030-040	030-050	030-063	040-075	040-090	050-110	063-130
<b>B</b>	20	20	20	23	23	30	40
<b>D<sub>I</sub></b>	9 j6	9 j6	9 j6	11 j6	14 j6	14 j6	19 j6
<b>G<sub>2</sub></b>	51	51	51	60	60	74	90
<b>l</b>	10	20	33	35	50	50	67
<b>b<sub>1</sub></b>	3	3	3	4	4	5	6
<b>f<sub>1</sub></b>	-	-	-	-	-	M6	M6
<b>t<sub>1</sub></b>	10.2	10.2	10.2	12.5	12.5	16	21.5

## PAM B5 外型尺寸 Dimensions



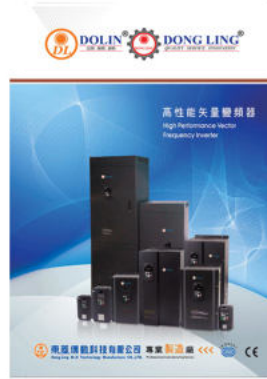
B5	IEC										
	056	063	071	080	090	100	112	132	160	180	200
Pm	120	140	160	200	200	250	250	300	350	350	400
Dm	9	11	14	19	24	28	28	38	42	48	55
bm	3	4	5	6	8	8	8	10	12	14	16
tm	10.4	12.8	16.3	21.8	27.3	31.3	31.3	41.3	45.3	51.8	59.3

## PAM B14 外型尺寸 Dimensions



B14	IEC								
	056	063	071	080	090	100	112	132	
Pm	80	90	105	120	140	160	160	200	
Dm	9	11	14	19	24	28	28	38	
bm	3	4	5	6	8	8	8	10	
tm	10.4	12.8	16.3	21.8	27.3	31.3	31.3	41.3	





# 台灣東菱集團公司

TAIWAN DONG LING M&E TECHNOLOGY MANUFACTURE CO.,LTD

**台灣總公司**  
**東菱精密減速機有限公司**  
 地址：台灣省台中市豐原區鎌村路605巷25號  
 TAX: 61900138  
 TEL: +886-4-25381758 25365291  
 FAX: +886-4-25367525  
 Sky: chen0302  
 Email: sales@dolin-tech.com  
 Website: www.dolin-tech.com

**TAIWAN HEADQUARTERS**  
**Dong Ling M&E Technology Manufacture Co.Ltd**  
 No 25, Lane 605, Liancan Rd, Fengyuan District,  
 Taichung City 420, Taiwan  
 TAX: 61900138  
 TEL: +886-4-25381758 25365291  
 FAX: +886-4-25367525  
 Sky: chen0302  
 Email: sales@dolin-tech.com  
 Website: www.dolin-tech.com

**越南分公司**  
**越南東菱責任有限公司**  
**平陽分公司**  
 地址：平陽省，順安鎮，順交坊，平順2，T15/2A  
 TAX: 3702238714  
 TEL: +84-274-3775395  
 FAX: +84-274-3775394  
 Sky: dolinsales10  
 Email: dolinsales01@gmail.com  
 Website: www.dolin.org.vn - www.dongling.com.vn

**VIET NAM BRANCH COMPANY**  
**Cong Ty TNHH MTV Thuong Mai Dich Vu Dong Ling**  
 Address: T15/2A, Binh Thuan 2 Quarter, Thuan Giao Ward, Thuan An Town,  
 Binh Duong Province, Viet Nam.  
 TAX: 3702238714  
 TEL: +84-274-3775395  
 FAX: +84-274-3775394  
 Sky: dolinsales10  
 Email: dolinsales01@gmail.com  
 Website: www.dolin.org.vn - www.dongling.com.vn

**河內分公司**  
 地址：河內市 龍邊郡 銅座區，蝙蝠街675號  
 TAX: 3702238714  
 TEL: +84-912.644.326  
 Sky: 0918770248  
 Email: dolinsales09@gmail.com  
 Website: www.dolin.org.vn - www.dongling.com.vn

**Ha Noi Representative Office**  
 Address: 675 Bat Khoi Street, Cu Khoi Ward, Long Bien District,  
 Ha Noi, Viet Nam.  
 TAX: 3702238714  
 TEL: +84-912.644.326  
 Sky: 0918770248  
 Email: dolinsales09@gmail.com  
 Website: www.dolin.org.vn - www.dongling.com.vn