



DOLIN[®]
品質. 服務. 創新



DONG LING[®]
QUALITY . SERVICE . INNOVATION

高效電動機
High Efficiency Motor



台灣東菱精密減速機有限公司
Taiwan Dong Ling M&E Technology Manufacture CO.,LTD

專業製造廠





敬業、務實、團結、拚搏
Devoted Career, Pragmatic, United, Efforts

- 企業目標：做精、做強、做大
Business Objective: Refined, Strong, Large
- 經營理念：質量第一、服務真誠、不斷創新
Management Philosophy: First Quality, Sincere Service, Vncreasing Innovation
- 質量觀：質量是品牌的基石、品牌是企劃的生命
Values: Quality is foundation stone of brand, Brand is life of business
- 營銷理念：以市場為導向、以質量求生存、以信譽求發展
Marketing Philosophy: Market-Oriented, Living is in quality, Developing is in reputation

 **台灣東菱集團公司**
TAIWAN DONG LING GROUP CO.LTD

專業製造廠
Professional manufacturing factory

企業簡介

Company Biography

- 1988 東菱機電台灣公司創立
DOLIN was established in Taiwan.
 - 2003 通過ISO9001:2000質量管理體系認證
Acquired ISO9001:2000 Quality Management System Certificate.
通過首批強制性產品(CCC)認證
Acquired CCC Certification.
 - 2004 首次推出高精度生產設備系列：分條機、複卷機、分切機、以及薄膜貼合機
Introduced new precision-machinery series: Slitting Machines, Rewinding Machines, Cutting Machines, and Laminating Machines.
 - 2011 東菱企業更趨壯大穩固，成為擁有超過 200 員工的中型企業。
我們的產品市場遍布整個中國大陸、台灣，以及東南亞等地區。
DOLIN has developed steadily and become a medium-size manufacturer with more than 200 professional employees.
Our market has expanded all over mainland China, Taiwan area and other countries and regions in Southeast Asia.
 - 2012 東菱集团在越南平陽省設立分公司。越南東菱責任有限公司
Dolin Group established a branch in Vietnam, Binh Duong province. Dong Ling M&E Technology Manufacture CO.LTD
 - 2016 東菱集团在越南河內成立分公司。河內分公司
Dolin Group established a branch in Vietnam, Ha Noi province. Branch in Hanoi
- 至今 東菱企業不斷致力於服務客戶，可信賴的產品品質已成為東菱不可抹滅的品牌形象並帶領我們的產品迎向全世界。
Currently DOLIN does not stop trying our best to serve customers. Our quality and reliability have strongly consolidated our brand reputation and brought our products to worldwide markets.

● 通過ISO9001:2000品質認證

ISO9001:2000 quality management system certification

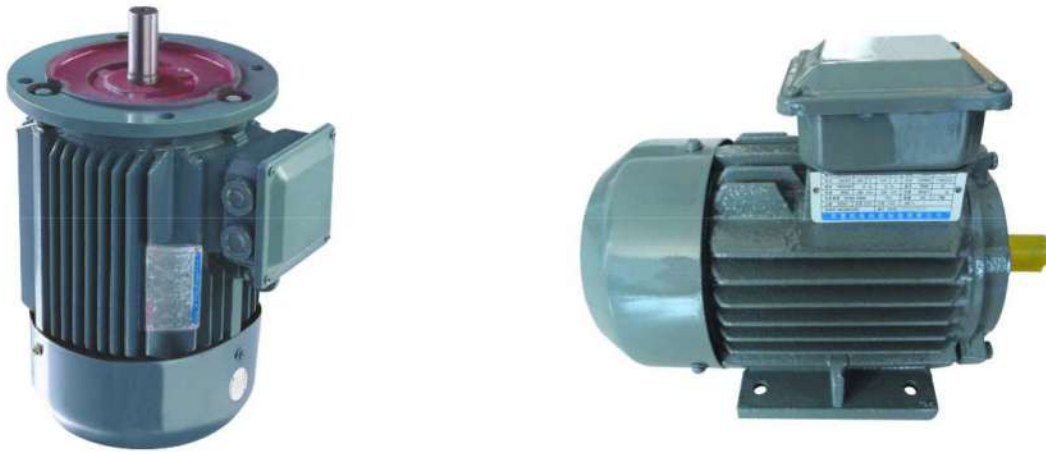
● 通過國家強制性產品認證

"CCC" certification



AY 系列(IP55)三相異步電動機

AY Series(IP55) Three-phase Asynchronous Motor



產品概述

AY 系列(IP55)三相異步電動機是總結發達國家先進經驗而開發設計的最新一代三相異步電動機產品。各項性能指標達到國際90年代的先進水平，執行標準JB/T8680-2008《Y2系列(IP55)三相異步電動機技術條件》。

AY 系列(IP55)三相異步電動機機座號從63到355共計15個機座號，極數有2極、4極、8極、10極，功率從0.12KW到315KW共計117個規格。

適用於：一般場所和無特殊要求的機械，如金屬切削機床、泵、風機、運輸機械、攪拌機、農業機械、食品機械等。

特點

外型美觀，噪聲低，振動小，絕緣等級為F級，外殼防護等級為IP54或IP55，綜合性能與西門子1LA56系列相當。

使用條件

海拔不超過1000m，環境溫度隨季節變化，但最高不超過+40℃，最低不低於-15℃。

Brief introduction of product

Applications: General purpose including cutting machines, pumps, fans, conveyors, machines tools of farm duty and food process.

Characteristics

High efficiency and energy saving, low noise and little vibration. The insulation class is the protective class is IP54 or IP55.

Conditions of usage

The altitude not exceeding 1000m above sea level. The ambient temperature subject to seasonal variations but not exceeding +40℃ and not less than -15℃.



技術參數 Technical Data

型號 Type	額定功率 Rated power (KW)	滿載時 Full load				堵轉電流 額定電流 Locked current Rated current (Ist/TN)	堵轉轉矩 額定轉矩 Locked torque Rated torque (Tst/TN)	最大轉矩 額定轉矩 Max. torque Rated torque (Tmax/TN)	重量 Weight (Kg)
		轉速 Speed (r/min)	電流 Current (A)	效率 Efficiency (%)	功率因數 Power factor (cosφ)				
同步轉速 Synchronous speed 3000轉/分(rpm)									
AY-631-2	0.18	2720	0.53	65.0	0.80	5.5	2.2	9	
AY-632-2	0.25		0.69	68.0	0.81				
AY-711-2	0.37		2740	0.99	70.0				0.81
AY-712-2	0.55	1.4		73.0	0.82				
AY-801-2	0.75	2830	1.83	75.0	0.84	6.1	2.2	14	
AY-802-2	1.1		2.58	76.2	0.86				
AY-90S-2	1.5	2840	3.43	78.5	0.85	7.0	2.2	15	
AY-90L-2	2.2		4.85	81.0	0.86				
AY-100L-2	3	2870	6.31	82.6	0.87	7.5	2.2	18	
AY-112M-2	4	2890	8.1	84.2	0.87				
AY-132S1-2	5.5	2900	11	85.7	0.88	7.5	2.3	19	
AY-132S2-2	7.5		14.9	87.0					
AY-160M1-2	11	2930	21.3	88.4	0.88	7.5	2.3	22	
AY-160M2-2	15		28.8	89.4					
AY-160L-2	18.5	2940	34.7	90.0	0.89	7.5	2.0	25	
AY-180M-2	22		41	90.5					
AY-200L1-2	30	2950	55.5	91.4	0.89	7.5	2.0	28	
AY-200L2-2	37		67.9	92.0					
AY-225M-2	45	2970	82.3	92.5	0.89	7.5	2.0	30	
AY-250M-2	55		101	93.0					
AY-280S-2	75	2970	134	93.6	0.89	7.5	2.0	33	
AY-280M-2	90		160	93.9					
AY-315S-2	110	2980	195	94.0	0.89	7.5	2.0	36	
AY-315M-2	132		233	94.5					
AY-315L1-2	160	2980	279	94.6	0.89	7.1	1.8	2.2	
AY-315L2-2	200		348	94.8					
AY-355M-2	250	2980	433	95.2	0.90	7.1	1.6	2.2	
AY-355L-2	315		544	95.4					
同步轉速 Synchronous speed 1500轉/分(rpm)									
AY-631-4	0.12	1310	0.44	57.0	0.72	4.4	2.1	2.2	9
AY-632-4	0.18		0.62	60.0	0.73				
AY-711-4	0.25	1330	0.79	65.0	0.75	5.2	2.4	2.2	10
AY-712-4	0.37		1.12	67.0					
AY-801-4	0.55	1390	1.57	71.0	0.76	6.0	2.4	2.2	13
AY-802-4	0.75		2.03	73.0	0.76				
AY-90S-4	1.1	1400	2.89	76.2	0.78	6.0	2.4	2.2	14
AY-90L-4	1.5		3.7	78.5	0.79				
AY-100L1-4	2.2	1430	5.16	81.0	0.82	7.0	2.3	2.2	17
AY-100L2-4	3		6.78	82.6	0.81				
AY-112M-4	4	1440	8.8	84.2	0.82	7.0	2.3	2.2	18
AY-132S-4	5.5		11.7	85.7	0.84				
AY-132M-4	7.5	1460	15.6	87.0	0.85	7.5	2.3	2.2	23
AY-160M-4	11		23.3	88.4	0.84				
AY-160L-4	15	1470	30.1	89.4	0.85	7.5	2.3	2.2	26
AY-180M-4	18.5		36.5	90.0	0.86				
AY-180L-4	22	1480	43.2	90.5	0.87	7.2	2.2	2.2	23
AY-200L-4	30		57.6	91.4					0.87
AY-225S-4	37	1480	69.9	92.0	0.87	7.2	2.2	2.2	26
AY-225M-4	45		84.7	92.5					
AY-250M-4	55	1490	103	93.0	0.88	6.9	2.1	2.2	28
AY-280S-4	75		140	93.6					
AY-280M-4	90	1490	167	93.9	0.89	6.9	2.1	2.2	33
AY-315S-4	110		201	94.5					
AY-315M-4	132	1490	240	94.8	0.89	6.9	2.1	2.2	37
AY-315L1-4	160		287	94.9					
AY-315L2-4	200	1485	359	94.9	0.89	6.9	2.1	2.2	46
AY-355M-4	250		443	95.2					
AY-355L-4	315	1485	556	95.2	0.87	6.9	2.1	2.2	63

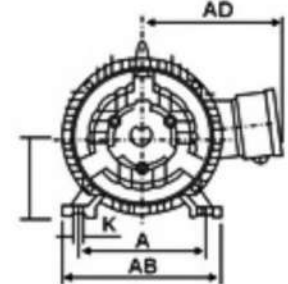
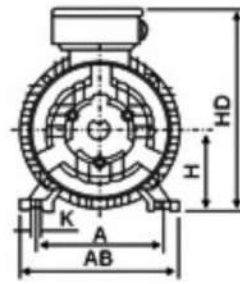
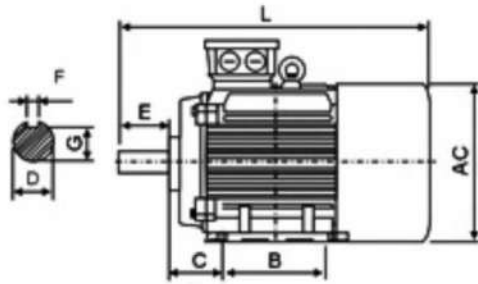


技術參數 Technical Data

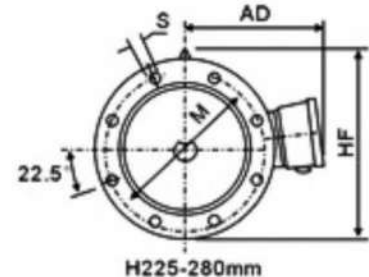
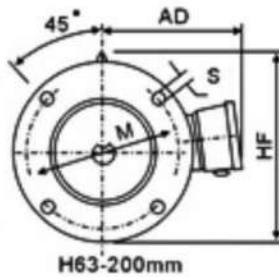
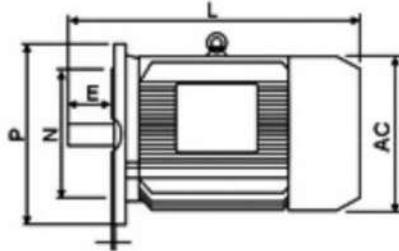
型號 Type	額定功率 Rated power (KW)	滿載時 Full load				堵轉電流 額定電流 Locked current Rated current (Ist/TN)	堵轉轉矩 額定轉矩 Locked torque Rated torque (Tst/TN)	最大轉矩 額定轉矩 Max. torque Rated torque (Tmax/TN)	重量 Weight (Kg)
		轉速 Speed (r/min)	電流 Current (A)	效率 Efficiency (%)	功率因數 Power factor (cosφ)				
同步轉速 Synchronous speed 1000轉/分(rpm)									
AY-711-6	0.18	850	0.74	56.0	0.66	4.0	1.9	2.0	13
AY-712-6	0.25		0.95	59.0	0.68				14
AY-801-6	0.37	890	1.3	62.0	0.70	4.7	2.0	2.0	19
AY-802-6	0.55		1.79	65.0	0.70				20
AY-90S-6	0.75	910	2.29	69.0	0.72	5.5	2.0	2.0	22
AY-90L-6	1.1		3.18	72.0					24
AY-100L-6	1.5	940	3.94	76.0	0.74	6.5	2.1	2.1	32
AY-112M-6	2.2		5.6	79.0	0.74				42
AY-132S-6	3	960	7.4	81.0	0.76	7.0	2.1	2.1	58
AY-132M1-6	4		9.8	82.0	0.77				69
AY-132M2-6	5.5	970	12.9	84.0	0.78	7.0	2.0	2.0	81
AY-160M-6	7.5		17	86.0	0.78				111
AY-160L-6	11	970	24.2	87.5	0.78	7.0	2.1	2.0	139
AY-180L-6	15		31.6	89.0	0.81				185
AY-200L1-6	18.5	980	38.6	90.0	0.83	7.0	2.1	2.0	228
AY-200L2-6	22		44.7	90.0	0.83				260
AY-225M-6	30	980	59.3	91.5	0.85	7.0	2.1	2.0	292
AY-250M-6	37		71	92.0	0.86				408
AY-280S-6	45	990	86	92.5	0.87	7.0	2.0	2.0	536
AY-280M-6	55		105	92.8					595
AY-315S-6	75	990	141	93.5	0.87	7.0	2.0	2.0	930
AY-315M-6	90		169	93.8					1030
AY-315L1-6	110	990	206	94.0	0.87	7.0	2.0	2.0	1150
AY-315L2-6	132		244	94.2					1210
AY-355M1-6	160	990	292	94.5	0.86	6.7	1.9	2.0	1696
AY-355M2-6	200		365	94.5					2020
AY-355L-6	250	455	94.5	0.86	2865				
同步轉速 Synchronous speed 750轉/分(rpm)									
AY-801-8	0.18	630	0.88	51.8	0.61	3.3	1.8	1.9	17
AY-802-8	0.25	640	1.15	54.0					18
AY-90S-8	0.37	660	1.49	62.0	0.67	4.0	1.8	1.9	22
AY-90L-8	0.55		2.18	63.0					24
AY-100L1-8	0.75	690	2.17	71.0	0.69	5.0	1.8	2.0	28
AY-100L2-8	1.1		2.39	73.0					30
AY-112M-8	1.5	680	4.5	75.0	0.71	6.0	1.9	2.0	37
AY-132S-8	2.2	710	6	80.0					58
AY-132M-8	3	710	7.9	82.0	0.72	6.0	1.9	2.0	74
AY-160M1-8	4		10.3	84.0	0.73				110
AY-160M2-8	5.5	720	13.6	85.0	0.74	6.0	2.0	2.0	111
AY-160L-8	7.5		17.8	86.0	0.75				137
AY-180L-8	11	730	25.1	87.5	0.77	6.6	1.9	2.0	174
AY-200L-8	15		34.1	88.0	0.76				255
AY-225S-8	18.5	740	40.6	89.5	0.78	6.6	1.9	2.0	261
AY-225M-8	22		47.4	90.0					0.78
AY-250M-8	30	740	64	90.5	0.80	6.6	1.8	2.0	405
AY-280S-8	37		78	91.0	0.79				497
AY-280M-8	45	740	94	91.7	0.80	6.6	1.8	2.0	556
AY-315S-8	55		111	92.0	0.80				918
AY-315M-8	75	740	151	92.5	0.81	6.6	1.8	2.0	1055
AY-315L1-8	90		178	93.0	0.82				1100
AY-315L2-8	110	740	217	93.3	0.81	7.2	1.8	2.0	1140
AY-355M1-8	132		261	93.8					1689
AY-355M2-8	160	740	315	94.0	0.81	7.2	1.8	2.0	2048
AY-355L-8	200		888	94.3					0.81
同步轉速 Synchronous speed 600轉/分(rpm)									
AY-315S-10	45	590	100	91.5	0.74	6.2	1.5	2.0	990
AY-315M-10	55		121	92.0					1150
AY-315L1-10	75	590	162	92.5	0.75	6.2	1.5	2.0	1220
AY-315L2-10	90		191	93.0	0.77				1510
AY-355M1-10	110	590	230	93.2	0.78	6.0	1.3	2.0	1980
AY-355M2-10	132		275	93.5					2376
AY-355L-10	160	334	93.5	0.81	2610				



B3



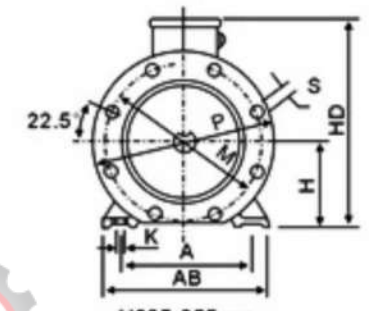
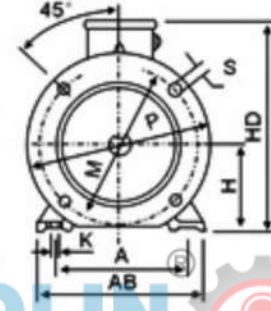
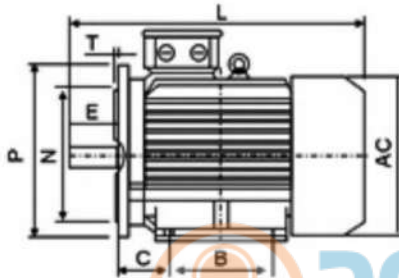
B5



H63-200mm

H225-280mm

B35



H63-200mm

H225-355mm

機座號 Frame No.	極數 Poles	安裝尺寸 Mounting dimensions(mm)											外型尺寸 External dimensions(mm)																	
		A	B	C	D	E	F	G	H	M	N	P	R	S	T	K	AB	AC	AD	HD	HF	L								
63M	2.4	100	80	40	11	23	4	8.5	63	115	95	140	10	3	7	135	130	70	180	130	230									
71M	2.4.6	112	90	45	14	30	5	11	71	130	110	160	10	3.5	7	150	145	80	195	145	255									
80M	2.4.6.8	125	100	50	19	40	6	15.5	80	165	130	200	12	3.5	10	165	175	145	220	185	295									
90S		140	100	56	24	50	8	20	90	165	130	200	12	3.5	10	180	195	155	250	195	320									
90L		140	125	56	24	50	8	20	90	165	130	200	12	3.5	10	180	195	155	250	195	345									
100L		160	140	63	28	60	8	24	100	215	180	250	15	4	12	205	215	180	270	245	385									
112M		190	140	70	28	60	8	24	112	215	180	250	15	4	12	230	240	190	300	265	400									
132S		216	140	89	38	80	10	33	132	265	230	300	15	4	12	270	275	210	345	315	470									
132M		216	178	89	38	80	10	33	132	265	230	300	15	4	12	270	275	210	345	315	510									
160M		254	210	108	42	110	12	37	160	300	250	350	19	5	15	320	330	255	420	385	615									
160L		254	254	108	42	110	12	37	160	300	250	350	19	5	15	320	330	255	420	385	670									
180M		279	241	121	48	110	14	42.5	180	300	250	350	19	5	15	355	380	280	455	430	700									
180L	279	279	121	48	110	14	42.5	180	300	250	350	19	5	15	355	380	280	455	430	740										
200L	318	305	133	55	110	16	49	200	350	300	400	19	5	19	395	420	305	505	480	770										
225S	4.8	356	286	149	60	140	18	53	225	400	350	450	19	5	19	435	470	335	560	535	815									
225M	2	356	311	149	55	110	16	49	225	400	350	450	0									820								
	4.6.8				60	140	18	53														560	535	845						
250M	2	406	349	168	60	140	18	53	250	500	450	550										19	5	24	490	510	370	615	595	910
	4.6.8				65	140	18	58																						
280S	2	457	368	190	65	140	18	58	280	500	450	550										19	5	24	550	580	410	680	650	985
	4.6.8				75	140	20	67.5																						
280M	2	457	419	190	65	140	18	58	280	500	450	550										19	5	24	550	580	410	680	650	1035
	4.6.8				75	140	20	67.5																						
315S	2	508	406	215	65	140	18	58	315	600	550	660										24	6	28	635	645	530	845	-	1160
	4.6.8.10				80	170	22	71																						1270
315M	2	508	457	215	65	140	18	58	315	600	550	660	24	6	28	635	645	530	845	-	1190									
	4.6.8.10				80	180	22	71													1300									
315L	2	508	508	215	65	140	18	58	315	600	550	660	24	6	28	635	645	530	845	-	1190									
	4.6.8.10				80	170	22	71													1300									
355M	2	610	560	254	75	140	20	67.5	355	740	680	800	24	6	28	730	710	655	1010	-	1500									
	4.6.8.10				95	170	25	86													1530									
355L	2	610	630	254	75	140	20	67.5	355	740	680	800	24	6	28	730	710	655	1010	-	1500									
	4.6.8.10				95	170	25	86													1530									



AE2 - 80 ~ 355系列 (IP55) 超高效率三相异步电动机 AE2 - 80 ~ 355 (IP55) Ultra High Efficiency Three-Phase Asynchronous Motor

产品概述 Overview

AE2系列超高效率三相异步电动机是我公司根据GB18613-2012最新的能效等级标准，按照IEC60034-2 旋转电机二部分“旋转电机损耗和效率试验测定方法”应用新技术，新工艺，新材料，并结合先进的生产技术和经验，自主研发的具有能效IE2级效指标的超高效率三相异步电动机。该系列产品设计新颖，造型美观，噪声低，效率高，结构紧凑，更用维护方便，电机全部采用F级绝缘，全系列温升按B级考核，从而大大提高了安全可靠。电机的安装尺寸符合IEC标准规定，外壳防护等级为IP55。

AE2 series ultra-high efficiency three-phase asynchronous motor with 2 level of efficiency value which is esearched and developed by our company according to the latest GB18613-2012 on efficiency rating, adopted new techniques, new technology and materials in accordance with Part II of standard IEC60034-2 on rotating electrical machines. Specific test methods for determining losses and efficiency of rotating motor combined with experience and advanced production technology. This product series has a new design with good appearance, low noise, high efficiency IE2, compact structure and easy maintenance, all motors are rated F insulation and the temperature rise of the entire series is rated for grade B, which greatly improves safety and reliability. The installation dimensions of motor comply with the requirements of the IEC standard with protection class of IP55.

AE2系列超高效率三相异步电动机可广泛用于机床，风机，水泵，压缩机，包装机械，矿山机械，建筑机械等各类机械传动设备。

AE2 series ultra-high efficiency three-phase asynchronous motor can be used in various fields, including machine tools, fans, compressors, packing machine, mining machine, construction machine and mechanical actuators.

产品使用条件

Conditions of use

额定功率：0.75 ~ 375KW

Rated capacity: 0.75 ~ 375KW

额定电压：380V (如需其它电压，订货时需注明)

Rated voltage: 380V (if other voltage is required, please specify when ordering)

额定频率：50Hz (如需其它频率订货时需注明)

Rated frequency: 50Hz (If other frequencies are required, please specify when ordering)

冷却方式：IC411 (外循环表面冷却)

Cooling method: IC411 (cooling the external circulating surface).

接法：3kW及以下为Y接法，3kW以上□接法

Connection method: Y connection in case of 3kW and less,

and □ connection in case of 3kW and more

工作制：连续工作制S1

Working system: S1 continuous working system

环境温度：-15° ~ 40°C

Ambient temperature: -15° ~ 40°C

海拔：不超过1000米

Altitude: maximum 1000 m



产品结构安装形式

Form of product structure installation

基本结构 Fundamental structure	派生的安装型式 Derived installation					基本结构 Fundamental structure	派生的安装型式 Derived installation	
B3	B6	B7	B8	V5	V6	B5	V1	V3
DLAE2-80~355	DLAE2-80~160					DLAE2-80~280	DLAE2-80~355	DLAE2-80~160

基本结构 Fundamental structure	派生的安装型式 Derived installation		基本结构 Fundamental structure	派生的安装型式 Derived installation		
B35	V15	V36	B34	B14	V18	V19
DLAE2-80~355	DLAE2-80~160		DLAE2-80~112			

产品技术数据 (380V/50Hz)
 Specifications (380V/50Hz)

型号 Model	功率 Power (kW)	电流 Current (A)	转速 Speed (r/min)	效率 Efficiency (%)	功率 因数 Power factor	堵转转矩 Locked-rotor torque	最大转矩 Max torque	堵转电流 Locked-rotor current	重量 Weight (Kg)
						额定转矩 Rated torque	额定转矩 Rated torque	额定电流 Rated current	
DLAE2 - 80M1-2	0.75	1.79	2865	77.4	0.83	2.3	2.3	6.8	18
DLAE2 - 80M2-2	1.1	2.53	2880	79.6	0.83	2.3	2.3	7.3	19
DLAE2 - 90S-2	1.5	3.37	2900	81.3	0.84	2.3	2.3	7.6	22
DLAE2 - 90L-2	2.2	4.74	2900	83.2	0.85	2.3	2.3	7.8	25
DLAE2 - 100L-2	3.0	6.2	2900	84.6	0.87	2.2	2.3	7.8	33
DLAE2 - 112M-2	4.0	8.1	2910	85.8	0.88	2.3	2.3	8.3	42
DLAE2 - 132S1-2	5.5	11	2920	87.0	0.88	2.2	2.3	8.3	60
DLAE2 - 132S2-2	7.5	14.7	2920	88.1	0.88	2.2	2.3	8.3	65
DLAE2 - 160M1-2	11.0	21	2942	89.4	0.89	2.2	2.3	7.9	109
DLAE2 - 160M2-2	15.0	28.4	2942	90.3	0.89	2.2	2.3	7.9	118
DLAE2 - 160L-2	18.5	34.7	2942	90.9	0.89	2.2	2.3	8.1	141
DLAE2 - 180M-2	22.0	41.2	2960	91.3	0.89	2.2	2.3	8.1	167
DLAE2 - 200L1-2	30.0	55.7	2965	92	0.89	2.2	2.3	7.5	249
DLAE2 - 200L2-2	37.0	68.3	2965	92.5	0.89	2.2	2.3	7.5	255
DLAE2 - 225M-2	45.0	82.7	2965	92.9	0.89	2.2	2.3	7.6	306
DLAE2 - 250M-2	55	100.7	2970	93.2	0.89	2.2	2.3	7.6	406
DLAE2 - 280S-2	75	136.5	2975	93.8	0.89	2.0	2.3	6.9	544
DLAE2 - 280M-2	90	163.3	2975	94.1	0.89	2.0	2.3	7.0	620
DLAE2 - 315S-2	110	195.0	2975	94.3	0.91	1.8	2.2	7.1	842
DLAE2 - 315M-2	132	235.6	2975	94.6	0.9	2.0	2.2	7.1	1010
DLAE2 - 315L1-2	160	281.8	2975	94.8	0.91	2.0	2.2	7.1	1110
DLAE2 - 315L2-2	200	355.4	2975	95.0	0.9	2.0	2.2	7.1	1200
DLAE2 - 355M1-2	220	391	2980	95.0	0.9	1.6	2.2	7.1	1350
DLAE2 - 355M2-2	250	434.6	2980	95.0	0.92	1.6	2.2	7.1	2045
DLAE2 - 355L1-2	280	487	2980	95.0	0.92	1.6	2.2	7.1	2231
DLAE2 - 355L2-2	315	547.6	2980	95.0	0.92	1.6	2.2	7.1	2578
DLAE2 - 3551-2	355	624	2980	95.0	0.91	1.6	2.0	7.3	2905
DLAE2 - 3552-2	375	659	2980	95.0	0.91	1.6	2.0	7.3	3169
DLAE2 - 80M-4	0.75	1.89	1435	79.6	0.75	2.3	2.3	6.6	18
DLAE2 - 90S-4	1.1	2.63	1435	81.4	0.77	2.3	2.3	6.8	23
DLAE2 - 90L-4	1.5	3.58	1440	82.8	0.77	2.3	2.3	6.8	26
DLAE2 - 100L1-4	2.2	5.3	1450	84.3	0.75	2.3	2.3	7.4	33
DLAE2 - 100L2-4	3.0	6.6	1450	85.5	0.81	2.3	2.3	7.4	37
DLAE2 - 112M-4	4.0	8.5	1455	86.6	0.82	2.3	2.3	7.5	46
DLAE2 - 132S-4	5.5	11.6	1460	87.7	0.82	2.0	2.3	7.4	63
DLAE2 - 132M-4	7.5	15.5	1460	88.7	0.83	2.0	2.3	7.4	76
DLAE2 - 160M-4	11.0	21.9	1470	89.8	0.85	2.2	2.3	7.5	116
DLAE2 - 160L-4	15.0	29.3	1470	90.6	0.86	2.2	2.3	7.5	135
DLAE2 - 180M-4	18.5	35.9	1475	91.2	0.86	2.2	2.3	7.6	175
DLAE2 - 180L-4	22.0	42.4	1475	91.6	0.86	2.2	2.3	7.8	185
DLAE2 - 200L-4	30.0	57.5	1475	92.3	0.86	2.2	2.3	7.2	250
DLAE2 - 225S-4	37.0	70.5	1480	92.7	0.86	2.2	2.3	7.3	306
DLAE2 - 225M-4	45.0	85.4	1480	93.1	0.86	2.2	2.3	7.3	342



产品技术数据 (380V/50Hz)
Specifications (380V/50Hz)

型号 Model	功率 Power (kW)	电流 Current (A)	转速 Speed (r/min)	效率 Efficiency (%)	功率因数 Power factor	堵转转矩 Locked-rotor torque	最大转矩 Max torque	堵转电流 Locked-rotor current	重量 Weight (Kg)
						额定转矩 Rated torque	额定转矩 Rated torque	额定电流 Rated current	
DLAE2- 250M-4	55	103.9	1480	93.5	0.86	2.2	2.3	7.4	420
DLAE2- 280S-4	75	137.9	1485	94.0	0.88	2.2	2.3	6.7	562
DLAE2- 280M-4	90	164.9	1485	94.2	0.88	2.2	2.3	6.9	667
DLAE2- 315S-4	110	201.0	1480	94.5	0.88	2.1	2.2	6.9	1000
DLAE2- 315M-4	132	240.6	1480	94.7	0.88	2.1	2.2	6.9	1100
DLAE2- 315L1-4	160	287.8	1480	94.9	0.89	2.2	2.2	6.9	1160
DLAE2- 315L2-4	200	359.0	1480	95.1	0.89	2.1	2.2	6.9	1200
DLAE2- 355M1-4	220	390.5	1490	95.1	0.9	2.1	2.2	6.9	1550
DLAE2- 355M2-4	250	444	1490	95.1	0.9	2.1	2.2	6.9	2141
DLAE2- 355L1-4	280	497	1490	95.1	0.9	2.1	2.2	6.9	2398
DLAE2- 355L2-4	315	559	1490	95.1	0.9	2.1	2.2	6.9	2698
DLAE2- 3551-4	355	645	1490	95.1	0.88	1.7	2.2	6.5	2975
DLAE2- 3552-4	375	681	1490	95.1	0.88	1.7	2.2	6.5	3150
DLAE2- 90S-6	0.75	2.1	950	75.9	0.72	2.0	2.1	5.9	22
DLAE2- 90L-6	1.1	2.95	950	78.1	0.73	2.0	2.1	5.9	34
DLAE2- 100L-6	1.5	3.9	950	79.8	0.74	2.0	2.1	5.5	32
DLAE2- 112M-6	2.2	5.6	955	81.8	0.74	2.1	2.1	6.2	42
DLAE2- 132S-6	3.0	7.4	970	83.3	0.74	2.0	2.1	6.8	58
DLAE2- 132M1-6	4.0	9.7	970	84.6	0.74	2.0	2.1	6.8	69
DLAE2- 132M2-6	5.5	12.9	970	86.0	0.75	2.0	2.1	6.8	81
DLAE2- 160M-6	7.5	16.7	976	87.2	0.78	2.1	2.1	6.7	111
DLAE2- 160L-6	11.0	23.9	976	88.7	0.79	2.1	2.1	6.9	139
DLAE2- 180L-6	15.0	31.4	980	89.7	0.81	2.1	2.1	7.2	185
DLAE2- 200L1-6	18.5	38.4	980	90.4	0.81	2.1	2.1	7.2	228
DLAE2- 200L2-6	22.0	44.8	980	90.9	0.82	2.1	2.1	7.5	260
DLAE2- 225M-6	30.0	61.4	985	91.7	0.81	2.0	2.1	7.1	292
DLAE2- 250M-6	37	72.6	980	92.2	0.84	2.1	2.1	7.1	408
DLAE2- 280S-6	45	85.8	985	92.7	0.86	2.1	2.0	7.2	536
DLAE2- 280M-6	55	104.4	985	93.1	0.86	2.1	2.0	7.2	595
DLAE2- 315S-6	75	143.1	985	93.7	0.85	2.0	2.0	6.7	930
DLAE2- 315M-6	90	169.2	985	94.0	0.86	2.0	2.0	6.7	1030
DLAE2- 315L1-6	110	206.1	985	94.3	0.86	2.0	2.0	6.7	1150
DLAE2- 315L2-6	132	246.5	985	94.6	0.86	2.0	2.0	6.7	1210
DLAE2- 355M1-6	160	295	990	94.8	0.87	1.9	2.0	6.8	1966
DLAE2- 355M2-6	185	341	990	94.8	0.87	1.9	2.0	6.8	1861
DLAE2- 355M3-6	200	368	990	95.0	0.87	2.0	2.0	6.8	2020
DLAE2- 355L1-6	220	404	990	95.0	0.87	2.0	2.0	6.8	2325
DLAE2- 355L3-6	250	460	990	95.0	0.87	2.0	2.0	6.8	2865
DLAE2- 3551-6	280	521	990	95.0	0.86	2.0	2.2	6.8	3208
DLAE2- 3552-6	315	586	990	95.0	0.86	2.0	2.2	6.8	3609

AE3 - 80 ~ 355系列 (IP55) 超高效率三相异步电动机

AE3 - 80 ~ 355 (IP55) Ultra High Efficiency Three-Phase Asynchronous Motor

产品概述

Overview

AE3系列超高效率三相异步电动机是我公司根据GB18613-2012最新的能效等级标准，按照IEC60034-2 旋转电机二部分“旋转电机损耗和效率试验测定方法”应用新技术、新工艺、新材料，并结合先进的生产技术和经验，自主研发的具有能效IE3级指标的超高效率三相异步电动机。该系列产品设计新颖，造型美观，噪声低，效率高，结构紧凑，更用维护方便，电机全部采用F级绝缘，全系列温升按B级考核，从而大大提高了安全可靠。电机的安装尺寸符合IEC标准规定，外壳防护等级为IP55。

AE3 series ultra-high efficiency three-phase asynchronous motor with 2 level of efficiency value which is researched and developed by our company according to the latest GB18613-2012 on efficiency rating, adopted new techniques, new technology and materials in accordance with Part II of standard IEC60034-2 on rotating electrical machines. Specific test methods for determining losses and efficiency of rotating motor. Combined with experience and advanced production technology. This product series has a new design with good appearance, low noise, high efficiency IE3, compact structure and easy maintenance, all motors are rated F insulation and the temperature rise of the entire series is rated for grade B, which greatly improves safety and reliability. The installation dimensions of motor comply with the requirements of the IEC standard with protection class of IP55.

AE3系列超高效率三相异步电动机可广泛用于机床、风机、水泵、压缩机、包装机械、矿山机械、建筑机械等各类机械传动设备。

AE3 series ultra-high efficiency three-phase asynchronous motor can be used in various fields, including machine tools, fans, compressors, packing machine, mining machine, construction machine and mechanical actuators.

产品使用条件

Conditions of use

额定功率：0.75 ~ 375KW

Rated capacity: 0.75 ~ 375KW

额定电压：380V (如需其它电压，订货时需注明)

Rated voltage: 380V (if other voltage is required, please specify when ordering)

额定频率：50Hz (如需其它频率，订货时需注明)

Rated frequency: 50Hz (if other frequencies are required, please specify when ordering)

冷却方式：IC411 (外循环表面冷却)

Cooling method: IC411 (cooling the external circulating surface).

接法：3kW及以下为Y接法，3kW以上△接法

Connection method: Y connection in case of 3kW and less, and Δ connection in case of 3kW and more

工作制：连续工作制S1

Working system: S1 continuous working system

环境温度：-15° ~ 40°C

Ambient temperature: -15° ~ 40°C

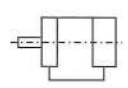


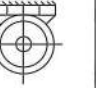
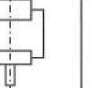

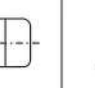
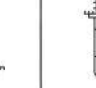

海拔：不超过1000米

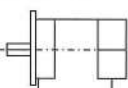
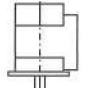
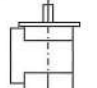
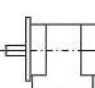
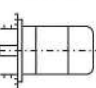
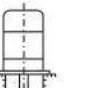
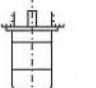
Altitude: maximum 1000 m



产品结构安装形式

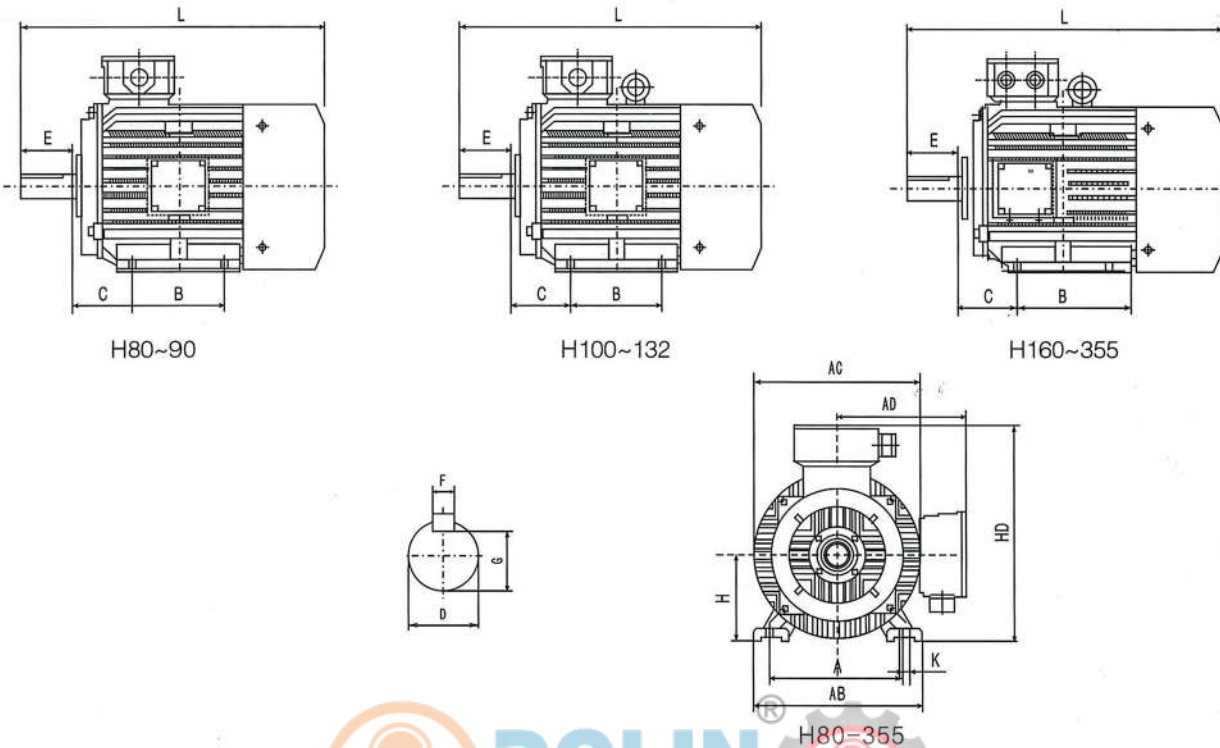
Form of product structure installation

基本结构 Fundamental structure	派生的安装型式 Derived installation					基本结构 Fundamental structure	派生的安装型式 Derived installation	
B3	B6	B7	B8	V5	V6	B5	V1	V3
								
DLAE3-80~355	DLAE3-80~160					DLAE3-80~280	DLAE3-80~355	DLAE3-80~160

基本结构 Fundamental structure	派生的安装型式 Derived installation		基本结构 Fundamental structure	派生的安装型式 Derived installation		
B35	V15	V36	B34	B14	V18	V19
						
DLAE3-80~355	DLAE3-80~160		DLAE3-80~112			

外形及安裝尺寸
Overall dimensions and installation dimensions

IMB3

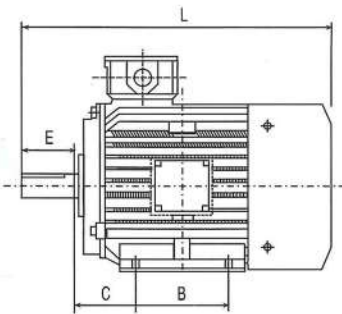


机座号 Frame No.	极数 Pole No.	安装尺寸 - Installation dimensions									外形尺寸 - Overall dimensions									
		A	B	C	D	E	F	G	H	K	AB	AC	AD	HD	L					
80M	2、4、6	125	100	50	19	40	6	15.5	80	10	165	175	145	220	305					
90S		140		56	24	50	8	20	90		180	205	170	265	360					
90L		125	70	28	60	24		100	112		205	215	180	270	435					
100L		160	140	63	110	10	33	132	14.5	14.5	230	255	200	310	440					
112M		190		70							110	14	42.5	180	355	390	285	460	800	
132S		216	89	38							80	10	33	132	270	310	230	360	510	
132M		178	254	108		42	160	37	160	18.5	18.5	270	310	230	360	550				
160M		210		110		12						37	160	320	340	260	425	730		
160L		254	121	48		14						42.5	180	355	390	285	460	800		
180M		279	279	121		48	16	49	200	24	24	395	445	320	520	860				
180L		318	305									133	55	16	49	200	395	445	320	520
200L		318	305	133		55						16	49	200	395	445	320	520	860	
225S	4	356	286	149		60	140	18	53	18.5	18.5	435	495	350	575	830				
225M	2		311			55	110	16	49							225	435	495	350	575
250M	4、6		311	60		140	18	53	250							24	24	490	550	390
250M	2	406	349	168	65					58	250	24	24	490	550			390	635	990
280S	4、6	457	368	190	75					20	67.5	280	24	24	550			630	435	705

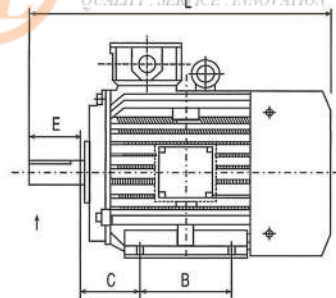
IMB3

机座号 Frame No.	极数 Pole No.	安装尺寸 - Installation dimensions									外形尺寸 - Overall dimensions												
		A	B	C	D	E	F	G	H	K	AB	AC	AD	HD	L								
280M	2	457	419	190	65	140	18	58	280	24	550	630	435	705	1040								
	75				20		67.5																
315S	2	508	406	216	65	170	18	58	315	28	635	645	530	845	1180								
	4、6				80		22	71							1290								
315M	2		457		65	140	18	58							315	28	635	645	530	845	1210		
	4、6				80	22	71	1320															
315L	2	508	508	216	65	170	18	58	315	28	635	645	530	845	1210								
	4、6				80		22	71							1320								
355M	2	610			560	254	75	170							20	67.5	355	35	730	710	655	1010	1500
	4、6						95								25	86							1530
355L	2		630	630	254		75	170	20	67.5	355	35	730	710	655	1010							1500
	4、6						95		25	86													1530
355	2	630	800	224		80	210	22	71	355							35	760	770	760	1130	1870	
	4、6					110		28	100													1920	

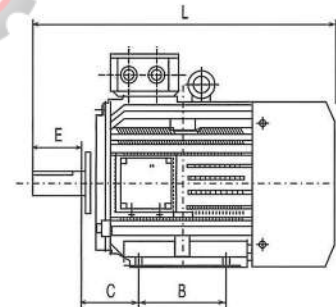
IMB35



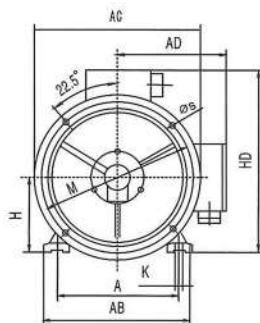
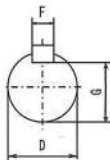
H80~90



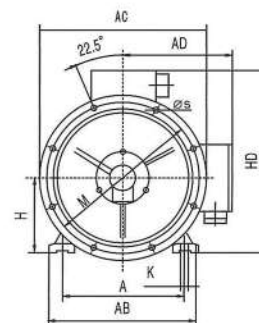
H100~132



H160~355



H100~132



H160~355



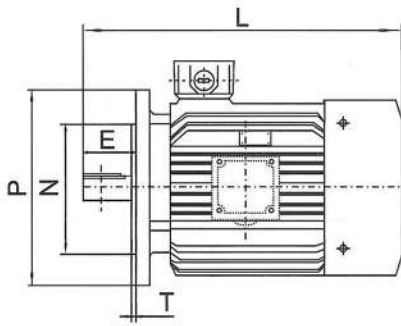
IMB35

机座号 Frame No.	凸缘号 Flange No.	极数 Pole No.	安装尺寸 - Installation dimensions														凸缘孔数 Number of holes			
			A	B	C	D	E	F	G	H	K	M	N	P	S	T				
80M	FF165	2~6	125	100	50	19	40	6	15.5	80	10	165	130	200	12	3.5	4			
90S			140		56	24	50	8	20	90										
90L				125	63	28	60											24	100	
100L	FF215		160	140				70	80	10	33	132	12	215	180	250				14.5
112M			190		89	38	80											12	37	
132S	FF265		216	178				108	42	110	14	42.5	180	14.5	300	250				350
132M			254		241	121	48											16	49	
160M	FF300		279	279				133	55	60	140	18	53	225	18.5	400				350
160L			254		149	55	110											16	49	
180M			279	60				53	250	24	500	450	550							
180L			279		65	140	58							20	67.5	280				
200L	FF350		318	305				133	55	60	140	18	53					225	18.5	400
225S	FF400	4	356	149	55	110	16	49	225	18.5	400	350	450	18.5	5	8				
225M		2															311	60	53	250
		4、6																		
250M	FF500	2	406	349	168	65	140	20	67.5	280	24	500	450	550	18.5		5			
		4、6																		
		2																		
280S		FF500	2	457	368	190	75	140	20	67.5	280	24	500	450	550		18.5	5		
			4、6																	
			2																	
280M	FF500	2	419	190	65	75	140	20	67.5	280	24	500	450	550	18.5		5			
		4、6																		
		2																		
315S	FF600	2	406	216	65	140	20	67.5	355	28	600	550	660	24	6	8				
		4、6																		
		2																		
315M		FF600	2	508	457	216	80	170	22	71	315	600	550	660	24		6			
			4、6																	
			2																	
315L	FF600	2	508	216	65	140	18	58	315	28	600	550	660	24	6					
		4、6																		
		2																		
355M	FF740	2	610	560	254	75	140	20	67.5	355	740	680	800	24	6	8				
		4、6																		
		2																		
		4、6																		
355L	FF740	2	630	560	254	75	140	20	67.5	355	740	680	800	24	6	8				
		4、6																		
355	FF840	2	630	800	224	80	170	22	71	355	35	840	780	900	24	6	8			
		4、6																		

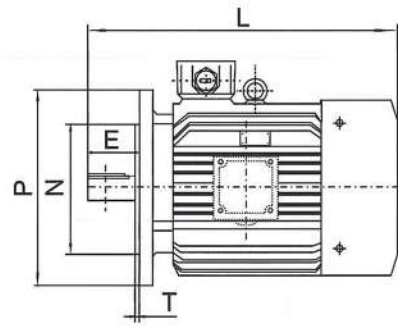
注：IMB35外形尺寸 AB,AC,AD,HD,L同IMB3.

Note: Overall dimensions AB, AC, AD, HD, L of IMB35 is as same as those of IMB3

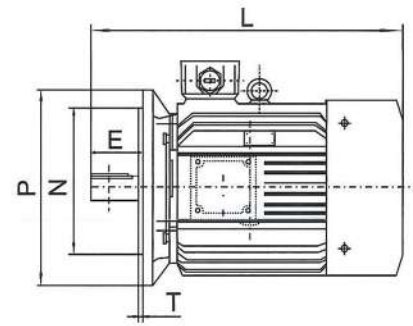
IMB5



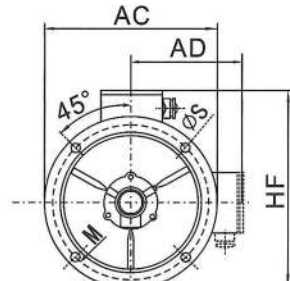
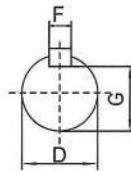
H80~90



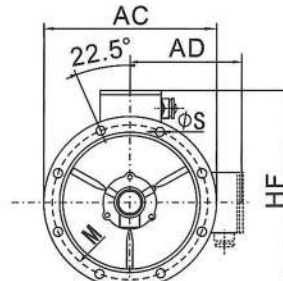
H100~132



H160~280



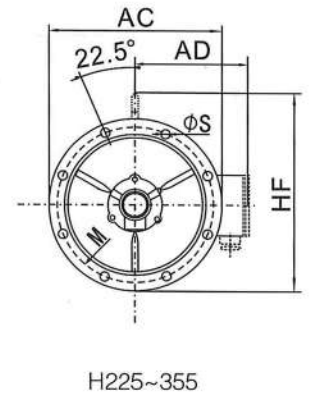
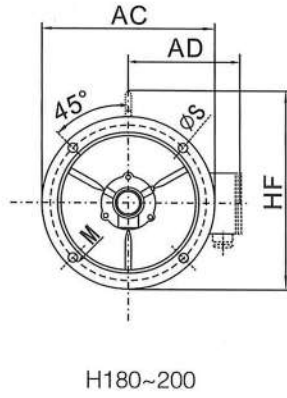
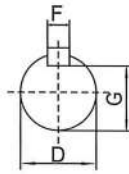
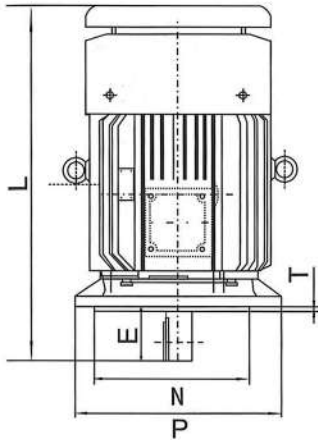
H100~200



H225~280

机座号 Frame No.	凸缘号 Flange No.	极数 Pole No.	安装尺寸 - Installation dimensions										外形尺寸 - Overall dimensions													
			D	E	F	G	M	N	P	S	凸缘孔数 Number of holes	AC	AD	HF	L											
80M	FF165	2, 6	19	40	6	15.5	165	130	200	12	3.5	4	175	145		305										
90S			24	50	8	20							205	170		395										
90L																425										
100L	FF215		28	60		24	215	180	250	14.5	4		215	180	240	435										
112M													255	200	275	475										
132S	FF265		38	80	10	33	265	230	300	18.5	5		4	310	230	335	535									
132M															550											
160M	FF300	42	110	12	37	300	250	350	18.5			5		8	340	260	390	730								
160L																						760				
180M				48	14	42.5	390	285							435	805										
180L				14																835						
200L	FF350	55		16	49	350	300	400				445	320	490	790											
225S	FF400	4	60	140	18	53	400	350	450	18.5	5	8	495	350	550	865										
225M		2	55	110	16	49													825							
		4, 6	60			53										895										
250M	FF500	2	60	140	18	53	500	450	550	18.5	5	8	650	390	615	995										
		4, 6	65			58																				
280S		2	65																							1030
		4, 6	75		20	67.5																				
280M		2	65		18	58																				
	4, 6	75	20	67.5																						

IMV1



机座号 Frame No.	凸缘号 Flange No.	极数 Pole No.	安装尺寸 - Installation dimensions										外形尺寸 - Overall dimensions						
			D	E	F	G	M	N	P	S	T	凸缘孔数 Number of holes	AC	AD	HF	L			
180M	FF300	2, 4, 6	48	110	14	42.5	300	250	350	18.5	5	4	390	285	505	825			
180L			845																
200L			445		325											565	940		
225S	FF400	4	60	140	18	53	400	350	450	18.5	5	4	495	350	625	945			
225M		2	55		16											49	945		
		4, 6	60		53											975			
250M	FF500	2	60	140	18	58	500	450	550	18.5	5	4	550	390	670	1095			
280S		4, 6	65													20	67.5	1150	
		2	65		18	58										630	435	745	1195
		4, 6	75		20	67.5													
280M	2	65	18	58	1195														
315S	FF600	2	65	140	18	58	600	550	660	24	6	8	645	530	900	1280			
		4, 6	80	170	22	71										1400			
315M		2	65	140	18	58										1310			
		4, 6	80	170	22	71										1430			
315L		2	65	140	18	58										1310			
		4, 6	80	170	22	71										1430			
355M	FF740	2	75	140	20	67.5	740	680	800	24	6	8	710	655	1010	1640			
		4, 6	95	170	25	86										1670			
355L		2	75	140	20	67.5										1640			
		4, 6	95	170	25	86										1670			
355	FF840	2	80	170	22	71	840	780	900	24	6	8	900	760	1220	1920			
		4, 6	110	210	28	100										1970			

产品技术数据 (380V/50Hz)
 Specifications (380V/50Hz)

型号 Model	功率 Power (kW)	电流 Current (A)	转速 Speed (r/min)	效率 Efficiency (%)	功率因数 Power factor	堵转转矩 Locked-rotor torque	最大转矩 Max torque	堵转电流 Locked-rotor current	重量 Weight (Kg)
						额定转矩 Rated torque	额定转矩 Rated torque	额定电流 Rated current	
DLAE3-80M1-2	0.75	1.71	2865	80.7	0.82	2.3	2.3	7.0	18
DLAE3-80M2-2	1.1	2.43	2880	82.7	0.83	2.2	2.3	7.3	19
DLAE3-90S-2	1.5	3.21	2900	84.2	0.84	2.2	2.3	7.6	22
DLAE3-90L-2	2.2	4.56	2900	85.9	0.85	2.2	2.3	7.6	25
DLAE3-100L-2	3.0	5.9	2900	87.1	0.87	2.2	2.3	7.8	33
DLAE3-112M-2	4.0	7.8	2910	88.1	0.88	2.3	2.3	8.3	42
DLAE3-132S1-2	5.5	10.6	2920	89.2	0.88	2.0	2.3	8.3	60
DLAE3-132S2-2	7.5	14.3	2920	90.1	0.88	2.0	2.3	7.9	65
DLAE3-160M1-2	11.0	20.5	2942	91.2	0.89	2.0	2.3	8.1	109
DLAE3-160M2-2	15.0	27.7	2942	91.9	0.89	2.0	2.3	8.1	118
DLAE3-160L-2	18.5	34	2942	92.4	0.89	2.0	2.3	8.2	141
DLAE3-180M-2	22.0	40.4	2960	92.7	0.89	2.0	2.3	8.2	100
DLAE3-200L1-2	30.0	54.7	2965	93.3	0.89	2.0	2.3	7.6	249
DLAE3-200L2-2	37.0	67.2	2965	93.7	0.89	2.0	2.3	7.6	255
DLAE3-225M-2	45.0	80.5	2965	94.0	0.9	2.0	2.3	7.7	306
DLAE3-250M-2	55	98.1	2970	94.3	0.9	2.0	2.3	7.7	403
DLAE3-280S-2	75	133.3	2975	94.7	0.9	1.8	2.3	7.1	544
DLAE3-280M-2	90	159.4	2975	95.0	0.9	1.8	2.3	7.1	620
DLAE3-315S-2	110	194.5	2975	95.2	0.9	1.8	2.3	7.1	842
DLAE3-315M-2	132	232.9	2975	95.4	0.9	1.8	2.3	7.1	1010
DLAE3-315L1-2	160	278.6	2975	95.6	0.91	1.8	2.3	7.2	1110
DLAE3-315L2-2	200	347.5	2975	95.8	0.91	1.8	2.2	7.2	1200
DLAE3-355M1-2	220	382.3	2980	95.8	0.91	1.6	2.2	7.2	2045
DLAE3-355M2-2	250	434.4	2980	95.8	0.91	1.6	2.2	7.2	2045
DLAE3-355L1-2	280	486.6	2980	95.8	0.91	1.6	2.2	7.2	2312
DLAE3-355L2-2	315	547.4	2980	95.8	0.91	1.6	2.2	7.2	2578
DLAE3-3551-2	355	616.9	2980	95.8	0.91	1.6	2.2	7.2	2828
DLAE3-3552-2	375	651.7	2980	95.8	0.91	1.6	2.2	7.2	2928
DLAE3-80M-4	0.75	1.83	1435	82.5	0.75	2.3	2.3	6.6	18
DLAE3-90S-4	1.1	2.60	1435	84.1	0.76	2.3	2.3	6.8	23
DLAE3-90L-4	1.5	3.46	1440	85.3	0.77	2.3	2.3	7.0	26
DLAE3-100L1-4	2.2	4.75	1450	86.7	0.81	2.3	2.3	7.6	33
DLAE3-100L2-4	3.0	6.3	1450	87.7	0.82	2.3	2.3	7.6	37
DLAE3-112M-4	4.0	8.3	1455	88.6	0.82	2.3	2.3	7.8	46
DLAE3-132S-4	5.5	11.2	1460	89.6	0.83	2.0	2.3	7.9	63
DLAE3-132M-4	7.5	14.9	1460	90.4	0.84	2.0	2.3	7.5	76
DLAE3-160M-4	11.0	21.4	1470	91.4	0.85	2.2	2.3	7.7	116
DLAE3-160L-4	15.0	28.7	1470	92.1	0.86	2.2	2.3	7.8	135
DLAE3-180M-4	18.5	35.1	1475	92.6	0.86	2.0	2.3	7.8	175
DLAE3-180L-4	22.0	41.6	1475	93.0	0.86	2.0	2.3	7.8	185
DLAE3-200L-4	30.0	56.4	1475	93.6	0.86	2.0	2.3	7.3	250
DLAE3-225S-4	37.0	69.4	1480	93.9	0.86	2.0	2.3	7.4	306
DLAE3-225M-4	45.0	84.1	1480	94.2	0.86	2.0	2.3	7.4	342

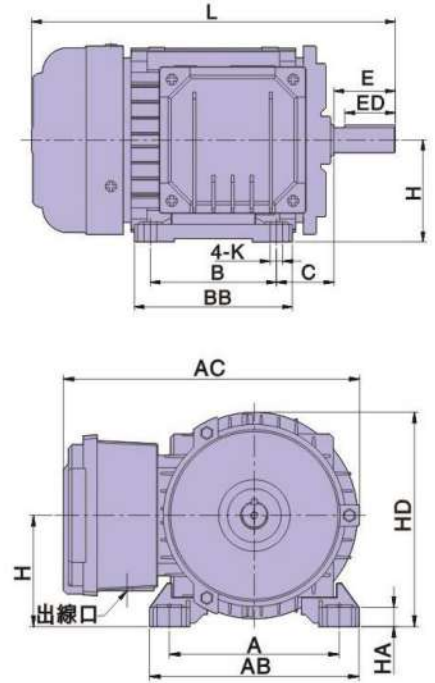
产品技术数据 (380V/50Hz)
 Specifications (380V/50Hz)

型号 Model	功率 Power (kW)	电流 Current (A)	转速 Speed (r/min)	效率 Efficiency (%)	功率 因数 Power factor	堵转转矩	最大转矩	堵转电流	重量 Weight (Kg)	
						Locked-rotor torque	Max torque	Locked-rotor current		
						额定转矩	额定转矩	额定电流		
						Rated torque	Rated torque	Rated current		
DLAE3-250M-4	55	102.4	1480	94.6	0.86	2.2	2.3	7.4	420	
DLAE3-280S-4	75	135.9	1485	95.0	0.88	2.0	2.3	6.9	562	
DLAE3-280M-4	90	162.7	1485	95.2	0.88	2.0	2.3	6.9	667	
DLAE3-315S-4	110	196.3	1480	95.4	0.89	2.0	2.2	7.0	1000	
DLAE3-315M-4	132	235.0	1480	95.6	0.89	2.0	2.2	7.0	1100	
DLAE3-315L1-4	160	284.3	1480	95.8	0.89	2.0	2.2	7.1	1160	
DLAE3-315L2-4	200	350.7	1480	96	0.90	2.0	2.2	7.1	1200	
DLAE3-355M1-4	220	385.8	1490	96	0.90	2.0	2.2	7.1	1625	
DLAE3-355M2-4	250	438.4	1490	96	0.90	2.0	2.2	7.1	2050	
DLAE3-355L1-4	280	491.0	1490	96	0.90	2.0	2.2	7.1	2374	
DLAE3-355L2-4	315	552.3	1490	96	0.90	2.0	2.2	7.1	2698	
DLAE3-3551-4	355	636.6	1490	96	0.88	1.7	2.2	7.0	3022	
DLAE3-3552-4	375	672.5	1490	96	0.88	1.7	2.2	7.0	3272	
DLAE3-90S-6	0.75	2.0	950	78.9	0.71	2.0	2.1	6.0	22	
DLAE3-90L-6	1.1	2.81	950	81	0.73	2.0	2.1	6.0	34	
DLAE3-100L-6	1.5	3.77	950	82.5	0.73	2.0	2.1	6.5	32	
DLAE3-112M-6	2.2	5.34	955	84.3	0.74	2.0	2.1	6.6	42	
DLAE3-132S-6	3.0	7.1	970	85.6	0.74	2.0	2.1	6.8	58	
DLAE3-132M1-6	4.0	9.4	970	86.8	0.74	2.0	2.1	6.8	69	
DLAE3-132M1-6	5.5	12.6	970	88.0	0.75	2.0	2.1	7.0	81	
DLAE3-160M-6	7.5	16.1	976	89.1	0.79	2.0	2.1	7.0	111	
DLAE3-160L-6	11.0	23.0	976	90.3	0.80	2.0	2.1	7.2	139	
DLAE3-180L-6	15.0	30.7	980	91.2	0.81	2.0	2.1	7.3	185	
DLAE3-200L1-6	18.5	37.7	980	91.7	0.81	2.0	2.1	7.3	228	
DLAE3-200L2-6	22.0	44.6	980	92.2	0.81	2.0	2.1	7.4	260	
DLAE3-225M-6	30.0	58.9	985	92.9	0.83	2.0	2.1	6.9	292	
DLAE3-250M-6	37	71.5	980	93.3	0.84	2.0	2.1	7.1	408	
DLAE3-280S-6	45	85.6	985	93.7	0.85	2.0	2.0	7.3	536	
DLAE3-280M-6	55	102.9	985	94.1	0.86	2.0	2.0	7.3	595	
DLAE3-315S-6	75	143.0	985	94.6	0.84	2.0	2.0	6.6	930	
DLAE3-315M-6	90	169.0	985	94.9	0.85	2.0	2.0	6.7	1030	
DLAE3-315L1-6	110	206.0	985	95.1	0.85	2.0	2.0	6.7	1150	
DLAE3-315L2-6	132	243.7	985	95.4	0.86	2.0	2.0	6.8	1210	
DLAE3-355M1-6	160	294.8	985	95.6	0.86	1.8	2.0	6.8	1696	
DLAE3-355M2-6	185	336.3	990	95.8	0.87	1.8	2.0	6.8	1858	
DLAE3-355M3-6	200	363.5	990	95.8	0.87	1.8	2.0	6.8	2020	
DLAE3-355L1-6	220	399.8	990	95.8	0.87	1.8	2.0	6.8	2443	
DLAE3-355L3-6	250	454.4	990	95.8	0.87	1.8	2.0	6.8	2865	
DLAE3-3551-6	280	514.9	990	95.8	0.86	1.8	2.0	6.8	3265	
DLAE3-3552-6	315	579.2	990	95.8	0.86	1.8	2.0	6.8	3615	

MSB3

鋁合金三相交流感應電動機 (臥式)

Aluminum alloy three-phase AC induction motor



- 國際IEC尺寸, 世界通用, 互換性高, 保養簡便
- 鋁合金外殼, 質輕, 外型精美
- 機座空三角設計, 強度好, 振動小
- 散熱佳, 壽命長

- All sizes conform to IEC International general standard, which provides easy maintenance and best compatibility of looking for interchangeable parts.
- Aluminum coated frame provides light weight and artistic exterior.
- Triangle shape foot mount (B3) provides high stability with low vibration.
- The excellent heat dissipation extends motor life.

Unit:mm

框號 Frame No.	輸出馬力 Out horsepower				絕緣等級 Ins.	安裝尺寸 Mounted size				外型尺寸 Forfilomtry						軸承 Bearing		軸端 ShaftExtension						概略重量 Kg					
	2P	4P	6P	8P		A	B	C	K	AB	AC	BB	H	HA	HD	L	L.S.O.S.	D	E	ED	F	G	GA		DH				
56	1/8	1/6	—	1/8	B	90	71	36	6	112	112	95	56	4.5	139	203	6201	6201	9	20	12	3	7.2	10.2	M3x5	3.5			
63	1/4	1/3	1/6	1/4		1/8	—	—	100	80	40	7	121	168	125	63	5	151	218	6201	6201	11	23	17	4	8.5	12.5	M4x8	4.5
71	1/2	3/4	1/3	1/2		1/6	1/4	1/8	112	90	45	7	135	188	140	71	7	172	257	6202	6202	14	30	24	5	11	16	M5x10	6
80	1	1.5	3/4	1		1/3	1/2	1/4	125	100	52	10	158	213	148	80	7	183	279	6204	6303	19	40	34	6	15.5	21.5	M6x12	10
90S	2	—	1.5	—		3/4	—	1/2	140	100	58	10	172	226	160	90	8	202	300	6205	6205	24	50	44	8	20	27	M8x16	12
90L	3	—	2	—		1	—	—	140	125	58	10	172	226	185	90	8	202	328	6205	6205	24	50	44	8	20	27	M8x16	15
100	—	—	3	—		2	—	1	160	140	60	12	190	194	198	100	8.5	231	366	6206	6206	28	60	52	8	24	31	M10x20	24
112	5	—	5	—		3	—	2	190	140	70	12	223	218	214	112	9	255	388	6206	6206	28	60	52	8	24	31	M10x20	30

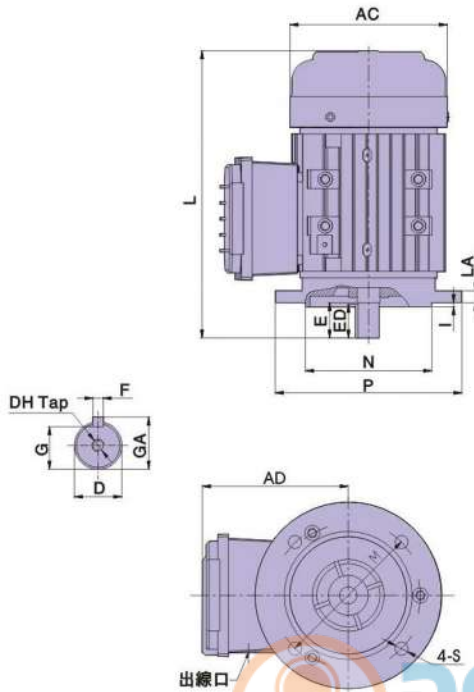
- 出力軸直徑D公差js6; 中心高H公差 (0, 5)
- 以上數值, 如有更改, 恕不另行通知
- 如有特殊要求, 歡迎來圖來樣或與我公司聯繫

- Tolerance of Diameter (D) of Shaft Output: js6;
- Tolerance of Center Height (H): (-0.5, 0).
- All above information is subject to change without further notification.
- If you are looking for customization, please feel free to present any sample or engineering drawing to us, or directly contact with us for more detail.

MSB5

鋁合金三相交流感應電動機 (立式)

Aluminum alloy three-phase AC induction motor



- 國際 IEC 尺寸，世界通用，互換性高，保養簡便
- 鋁合金外殼，質輕，外型精美
- 散熱佳，壽命長

- All sizes conform to IEC international general standard, which provides easy maintenance and best compatibility of looking for interchangeable parts.
- Aluminum coated frame provides light weight and artistic exterior.
- The excellent heat dissipation extends motor life.

Unit:mm

框號 Frame No.	輸出馬力 Out horsepower				絕緣 等級 Ins.	安裝尺寸 Mounted size				外型尺寸 Forfilomtry				軸承 Bearing		軸端 Shaft Extension				概略 重量 Kg								
	2P	4P	6P	8P		P	N	S	M	AC	AD	LA	T	L	L.S.	O.S.	D	E	ED		F	G	GA	DH				
56	1/8	1/6	—	1/8	—	—	—	—	—	60	50	M5	65	112	83	1	2	203	6201	6201	9	20	12	3	7.2	10.2	M3x5	3.5
63	1/4	1/3	1/6	1/4	1/8	—	—	—	—	140	95	10	115	121	110	8	3	228	6201	6201	11	23	17	4	8.5	12.5	M4x8	5
71	1/2	3/4	1/3	1/2	1/6	1/4	1/8	B	—	160	110	10	130	140	122	9.5	3.5	267	6202	6202	14	30	24	5	11	16	M5x10	7
80	1	1.5	3/4	1	1/3	1/2	1/4		—	200	130	12	165	154	137	11	3.5	279	6204	6303	19	40	34	6	15.5	21.5	M6x12	9
90S	2	—	1.5	—	3/4	—	1/2		—	200	130	12	165	173	141	12	3.5	300	6205	6205	24	50	44	8	20	27	M8x16	12
90L	3	—	—	2	1	—	—		—	200	130	12	165	173	141	12	3.5	328	6205	6205	24	50	44	8	20	27	M8x16	15
100	—	—	—	3	2	—	1	—	250	180	15	215	194	131	13	4	366	6206	6206	28	60	52	8	24	31	M10x20	24	

- 出力直徑D公差js6，引導直徑N公差h7
- 數據內56為小法蘭端蓋，其餘為大法蘭
- 以上數值，如有更改，恕不另行通知
- 如有特殊要求，歡迎來圖來樣或與我公司聯繫

- Tolerance of Diameter (D) of Shaft Output: js6;
Tolerance of Lead Diameter (N): h7.
- Only frame number, 56, is integrated with small size of flange plate, the others are all integrated with large size of flange plate.
- All above information is subject to change without further notification.
- If you are looking for customization, please feel free to present any sample or engineering drawing to us, or directly contact with us for more detail.

YBX3系列防爆型三相异步电动机

YBX3 series explosion-proof three-phase asynchronous motor

概述

Overview

YBX3系列防爆型三相异步电动机是YB3列防爆型三相异步电动机的更新换代产品。是国家推广使用的高效电机。具有效率高·噪声低·震动小·堵转转矩高·运行可靠·外形美观等特点，是使用在石油·化工·煤炭工业中的重要电工产品之一。

YBX3 series explosion-proof three-phase asynchronous motor is an upgrade of YB3 series explosion-proof three-phase asynchronous motors which is widely used in the country. The motors have advantage of high efficiency, low noise and vibration, big locked-rotor torque, reliable operation, good appearance and it is one of the important electrical devices used in the petroleum, chemical and coal industries.

该系列电机的防爆性能符合GB3836.1《爆炸性环境第一部分：设备通用要求》和GB3836.2《爆炸性环境第二部分：由防爆外壳“d”保护的的设备》的规定。产品机械电气性能符合JB/T7565.1-2011《防爆型三相异步电动机技术条件第一部分：YBX3系列防爆型三相异步电动机（机座号80-355）》。

The explosion-proof performance of this engine series meets the requirements of GB3836.1 "Explosive environment part 1: General requirements" and GB3836.2 "Explosive environment part 2: Flameproof enclosure "d". The product's electromechanical performance is in line with JB/T7565.1-2011 "Part 1 -Technical conditions for explosion-proof three-phase asynchronous motor (frame number 80-355)".

我公司可以按照客户要求设计·制造各种电压·各种频率·各种安装方式的电动机产品·如220V,440V电压·60HZ频率·并向用户提供完善的技术服务。

Our company can design and manufacture motors with different voltages, frequencies and various installation methods according to customers' requirements, such as voltage of 220V, 440V and frequency of 60HZ, and the customer will be provided with complete technical services

产品使用条件

Conditions of use

额定功率：0.75 ~ 375KW

Rated capacity: 0.75 ~ 375KW

额定电压：380V, 660V, 380V/660V, 660/1440V

Rated voltage: 380V, 660V, 380V/660V, 660/1440V

防爆标志：ExdIIBT4Gb.

Explosion-proof criteria: ExdIIBT4Gb.

冷却方式：IC411（外循环表面冷却）。

Cooling method: IC411 (cooling the external circulating surface).

环境温度：-15° ~ 40°C

Ambient temperature: -15° ~ 40°C

环境温度：-15° ~ 40°C

Ambient temperature: -15° ~ 40°C

海拔：不超过1000米

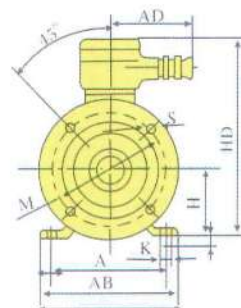
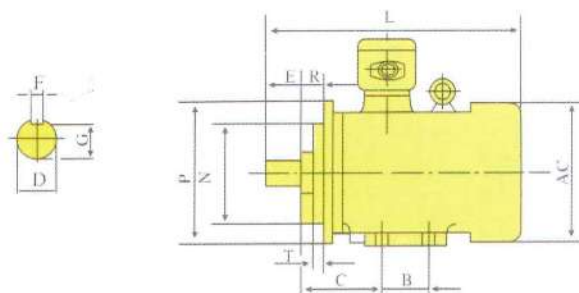
Altitude: maximum 1000 m



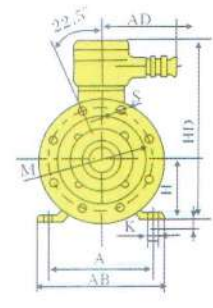
外形及安装尺寸

Overall dimensions and installation dimensions

IMB3



H63 ~ 200



H225 ~ 315



机座号 Frame size	极数 Poles	安装尺寸(毫米)Mounting dimension(mm)															外形尺寸(毫米)Contour dimension(mm)				
		H	A	B	C	D	E	F	G	K	M	N	Pmax	S	T	T	AB	AC	AD	HD	L
80	2, 4, 6, 8	80	125	100	50	19	40	6	155	10	165	130	200	12	3.5	0	165	165	180	320	330
90S		90	140	100	56	24	50	8	20	10	165	130	200	12	3.5	0	180	180	180	350	360
90L		90	140	125	56	24	50	8	20	10	165	130	200	12	3.5	0	180	180	180	350	385
100L		100	160	140	63	28	60	8	24	12	215	180	250	15	4	0	200	205	180	400	440
112M		112	190	140	70	28	60	8	24	12	215	180	250	15	4	0	245	230	200	420	460
132S		132	216	140	89	38	80	10	33	12	265	230	300	15	4	0	280	270	200	450	510
132M		132	216	178	89	38	80	10	33	12	265	230	300	15	4	0	280	270	200	450	550
160M		160	254	210	108	42	110	12	37	15	300	250	350	19	5	0	330	325	220	520	670
160L		160	254	254	108	42	110	12	37	15	300	250	350	19	5	0	330	325	220	520	710
180M		180	279	241	121	48	110	14	42.5	15	300	250	350	19	5	0	355	360	220	550	730
180L		180	279	279	121	48	110	14	42.5	15	300	250	350	19	5	0	355	360	220	550	750
200L		200	318	305	133	55	110	16	49	19	350	300	400	19	5	0	390	400	250	645	805
225S		4, 6, 8	225	356	286	149	60	140	18	53	19	400	350	450	19	5	0	435	450	250	690
225M	2	225	356	311	149	55	110	16	49	19	400	350	450	19	5	0	435	450	250	690	860
225M	4, 6, 8	225	356	311	149	60	140	18	53	19	400	350	450	19	5	0	435	450	250	690	890
250M	2	250	406	349	168	60	140	18	53	24	500	450	550	19	5	0	490	500	300	730	945
250M	4, 6, 8	250	406	349	168	65	140	18	58	24	500	450	550	19	5	0	490	500	300	730	945
280S	2	280	457	368	190	65	140	18	58	24	500	450	550	19	5	0	545	560	300	810	1010
280S	4, 6, 8	280	457	368	190	75	140	20	67.5	24	500	450	550	19	5	0	545	560	300	810	1010
280M	2	280	457	419	190	65	140	18	58	24	500	450	550	19	5	0	545	560	300	810	1060
280M	4, 6, 8	280	457	419	190	75	140	20	67.5	24	500	450	550	19	5	0	545	560	300	810	1060
315S	2	315	508	406	216	65	140	18	58	28	600	550	660	24	6	0	640	630	400	1020	1320
315S	4, 6, 8	315	508	406	216	80	170	22	71	28	600	550	660	24	6	0	640	630	400	1020	1350
315M	2	315	508	457	216	65	140	18	58	28	600	550	660	24	6	0	640	630	400	1020	1350
315M	4, 6, 8, 10	315	508	457	216	80	170	22	71	28	600	550	660	24	6	0	640	630	400	1020	1380
315L	2	315	508	508	216	65	140	18	58	28	600	550	660	24	6	0	640	630	400	1020	1490
315L	4, 6, 8, 10	315	508	508	216	80	170	22	71	28	600	550	660	24	6	0	640	630	400	1020	1520
355S	2	355	610	500	254	75	140	20	67.5	28	740	680	800	24	6	0	740	750	500	1080	1570
355S	4, 6, 8, 10	355	610	500	254	95	170	25	86	28	740	680	800	24	6	0	740	750	500	1080	1570
355M	2	355	610	560	254	75	140	20	67.5	28	740	680	800	24	6	0	740	750	500	1080	1650
355M	4, 6, 8, 10	355	610	560	254	95	170	25	86	28	740	680	800	24	6	0	740	750	500	1080	1650
355L		355	610	630	254	75	140	20	67.5	28	740	680	800	24	6	0	740	750	500	1080	1750
355L		355	610	630	254	95	170	25	86	28	740	680	800	24	6	0	740	750	500	1080	1750

注: 1.图为B35型图样, 机座带底脚端盖上有凸缘。
 2.B3型电机机座带底脚, 端盖上无凸缘, 无尺寸 M, N, Pmax, S, T, Ro
 3.B5型电机机座无底脚, 端盖有凸缘, 无尺寸A, B, C, AB, Ko
 4.80-90无吊环。

Note: 1.The figure is of B35 type. There are frame feet and flange.
 2.B3 type motors have frame but no flange, the dimensions have no M, N, Pmax, S, T and R.
 3.B5 type motors have flange but no frame feet, the dimensions have no A, B, C, AB, and K.
 4. H80-90 without lifting bolts.

产品技术数据
 Specifications

型号 Model	功率 Power (kW)	电流 Current (A)	转速 Speed (r/min)	效率 Efficiency (%)	功率因数 Power factor	额定转矩 Rated torque	堵转转矩 Locked-rotor torque	最大转矩 Max torque	堵转电流 Locked-rotor current	噪音 Noise	重量 Weight (Kg)
							额定转矩 Rated torque	额定转矩 Rated torque	额定电流 Rated current		
YBX3-80M1-2	0.75	1.71	2865	80.7	0.82	2.4	2.3	2.3	7.0	67	
YBX3-80M2-2	1.1	2.43	2865	82.7	0.83	3.5	2.3	2.3	7.3	67	
YBX3-90S-2	1.5	3.21	2900	84.2	0.84	4.8	2.2	2.3	7.6	72	
YBX3-90L-2	2.2	4.56	2900	85.9	0.85	7.0	2.2	2.3	7.6	72	
YBX3-100L-2	3	5.9	2900	87.1	0.87	9.6	2.2	2.3	7.8	76	
YBX3-112M-2	4	7.8	2910	88.1	0.88	13	2.3	2.3	8.3	77	
YBX3-132S1-2	5.5	10.6	2920	89.2	0.88	18	2.0	2.3	8.3	80	
YBX3-132S2-2	7.5	14.3	2920	90.1	0.88	24	2.0	2.3	7.9	80	
YBX3-160M1-2	11	20.6	2940	91.2	0.89	35	2.0	2.3	8.1	86	
YBX3-160M2-2	15	27.9	2940	91.9	0.89	48	2.0	2.3	8.1	86	
YBX3-160L-2	18.5	34.2	2940	92.4	0.89	59	2.0	2.3	8.2	86	
YBX3-180M-2	22	40.5	2960	92.7	0.89	70	2.0	2.3	8.2	88	
YBX3-200L1-2	30	54.9	2965	93.3	0.89	96	2.0	2.3	7.6	90	
YBX3-200L2-2	37	67.4	2965	93.7	0.89	118	2.0	2.3	7.6	90	
YBX3-225M-2	45	80.8	2965	94.0	0.90	143	2.0	2.3	7.7	92	
YBX3-250M-2	55	98.5	2970	94.3	0.90	175	2.0	2.3	7.7	93	
YBX3-280S-2	75	133.7	2975	94.7	0.90	239	1.8	2.3	7.1	94	
YBX3-280M-2	90	159.9	2975	95.0	0.90	287	1.8	2.3	7.1	94	
YBX3-315S-2	110	194.5	2980	95.2	0.90	350	1.8	2.3	7.1	96	
YBX3-315M-2	132	232.9	2980	95.4	0.90	420	1.8	2.3	7.1	96	
YBX3-315L1-2	160	279.4	2980	95.6	0.91	509	1.8	2.3	7.1	98	
YBX3-315L2-2	200	348.6	2980	95.8	0.91	637	1.8	2.2	7.1	98	
YBX3-355S1-2	185	324	2980	95.8	0.91	589	1.8	2.2	7.2	98	
YBX3-355S2-2	200	347.5	2980	95.8	0.91	637	1.8	2.2	7.2	98	
YBX3-355M1-2	220	382.3	2980	95.8	0.91	700	1.6	2.2	7.2	100	
YBX3-355M2-2	250	434.4	2980	95.8	0.91	796	1.6	2.2	7.2	100	
YBX3-355L1-2	280	486.6	2980	95.8	0.91	891	1.6	2.2	7.2	100	
YBX3-355L2-2	315	547.4	2980	95.8	0.91	1003	1.6	2.3	7.2	100	
YBX3-80M1-4	0.55	1.57	1390	80.7	0.75	3.5	2.3	2.3	6.3	58	
YBX3-80M2-4	0.75	2.03	1390	82.5	0.75	4.8	2.3	2.3	6.6	58	
YBX3-90S-4	1.1	2.6	1430	84.1	0.76	7.0	2.3	2.3	6.8	61	
YBX3-90L-4	1.5	3.5	1430	85.3	0.77	9.6	2.3	2.3	7.0	61	
YBX3-100L1-4	2.2	5.16	1430	86.7	0.81	14	2.3	2.3	7.6	64	
YBX3-100L2-4	3	6.3	1450	87.7	0.82	19	2.3	2.3	7.6	64	
YBX3-112M-4	4	8.4	1445	88.6	0.82	25	2.3	2.3	7.8	65	
YBX3-132S-4	5.5	11.2	1455	89.6	0.83	35	2	2.3	7.9	71	
YBX3-132M-4	7.5	15.0	1455	90.4	0.84	48	2	2.3	7.5	71	
YBX3-160M-4	11	21.5	1465	91.4	0.85	70	2.2	2.3	7.7	75	
YBX3-160L-4	15	28.8	1465	92.1	0.86	96	2.2	2.3	7.8	75	
YBX3-180M-4	18.5	35.3	1475	92.6	0.86	118	2.0	2.3	7.8	76	
YBX3-180L-4	22	41.8	1475	93.0	0.86	140	2.0	2.3	7.8	76	
YBX3-200L-4	30	56.6	1475	93.6	0.86	191	2.0	2.3	7.3	79	
YBX3-225S-4	37	69.6	1480	93.9	0.86	236	2.0	2.3	7.4	81	
YBX3-225M-4	45	84.4	1480	94.2	0.86	287	2.0	2.3	7.4	81	

产品技术数据
 Specifications

型号 Model	功率 Power (kW)	电流 Current (A)	转速 Speed (r/min)	效率 Efficiency (%)	功率 因数 Power factor	额定 转矩 Rated torque	堵转转矩 Locked-rotor torque	最大转矩 Max torque	堵转电流 Locked-rotor current	噪音 Noise	重量 Weight (Kg)
							额定转矩 Rated torque	额定转矩 Rated torque	额定电流 Rated current		
YBX3-250M-4	55	102.7	1480	94.6	0.86	350	2.2	2.3	7.4	83	
YBX3-280S-4	75	136.3	1485	95.0	0.88	478	2.0	2.3	6.9	86	
YBX3-280M-4	90	163.2	1485	95.2	0.88	573	2.0	2.3	6.9	86	
YBX3-315S-4	110	196.8	1490	95.4	0.89	700	2.0	2.2	7.0	93	
YBX3-315M-4	132	235.9	1490	95.6	0.89	84	2.0	2.2	7.0	93	
YBX3-315L1-4	160	284.3	1490	95.8	0.89	1019	2.0	2.2	7.1	94	
YBX3-315L2-4	200	350.7	1490	96.0	0.90	1273	2.0	2.2	7.1	94	
YBX3-355S1-4	185	331	1490	96.0	0.89	1178	2.0	2.2	6.9	94	
YBX3-355S2-1	200	350.7	1490	96.0	0.90	1273	2.2	2.2	7.1	94	
YBX3-355M1-4	220	385.8	1490	96.0	0.90	1401	2.0	2.2	7.1	95	
YBX3-355M2-4	250	438.4	1490	96.0	0.90	1592	2.0	2.2	7.1	95	
YBX3-355L1-4	280	491.0	1490	96.0	0.90	1783	2.0	2.2	7.1	95	
YBX3-355L2-4	3115	553.9	1490	96.0	0.90	2006	2.0	2.2	7.1	95	
YBX3-80M1-6	0.37	1.3	910	63.0	0.71	3.5	2.0	2.0	5.8	54	
YBX3-80M2-6	0.55	1.5	910	75.4	0.71	5.3	2.0	2.0	5.8	54	
YBX3-90S-6	0.75	2	950	78.9	0.71	7.2	2.0	2.0	6.0	57	
YBX3-90L-6	1.1	2.8	950	81.0	0.73	11	2.0	2.0	6.0	57	
YBX3-100L-6	1.5	3.77	955	82.5	0.73	14	2.0	2.0	6.5	61	
YBX3-112M-6	2.2	5.34	955	84.3	0.74	21	2.0	2.1	6.6	65	
YBX3-132S-6	3	7.2	970	85.6	0.74	29	2.0	2.1	6.8	69	
YBX3-132M1-6	4	9.5	970	86.8	0.74	38	2.0	2.1	6.8	69	
YBX3-132M2-6	5.5	12.7	970	88.0	0.75	53	2.0	2.1	7.0	69	
YBX3-160M-6	7.5	16.2	975	89.1	0.79	72	2.0	2.1	7.0	73	
YBX3-160L-6	11	23.1	975	90.3	0.80	105	2.0	2.1	7.2	73	
YBX3-180L-6	15	30.9	980	91.2	0.81	143	2.0	2.1	7.3	73	
YBX3-200L1-6	18.5	37.8	980	91.7	0.81	177	2.0	2.1	7.3	76	
YBX3-200L2-6	22	44.3	980	92.2	0.81	210	2.0	2.1	7.4	76	
YBX3-225M-6	30	59.9	985	92.9	0.83	287	2.0	2.1	6.9	76	
YBX3-250M-6	37	71.7	985	93.3	0.84	353	2.0	2.1	7.1	78	
YBX3-280S-6	45	85	990	93.7	0.85	430	2.0	2.0	7.3	80	
YBX3-280M-6	55	103.3	990	94.1	0.86	525	2.0	2.0	7.3	80	
YBX3-315S-6	75	143.4	990	94.6	0.84	716	2.0	2.0	6.6	85	
YBX3-315M-6	90	169.5	990	94.9	0.85	860	2.0	2.0	6.7	85	
YBX3-315L1-6	110	206.8	990	95.1	0.85	1051	2.0	2.0	6.7	85	
YBX3-315L2-6	132	244.5	990	95.4	0.86	1261	2.0	2.0	6.8	85	
YBX3-355S-6	160	294	990	95.6	0.86	1528	1.8	2.0	6.8	92	
YBX3-355M1-6	185	337.3	990	95.8	0.87	1767	1.8	2.0	6.8	92	
YBX3-355M2-6	200	364.6	990	95.8	0.87	1910	1.8	2.0	6.8	92	
YBX3-355L1-6	220	401.1	990	95.8	0.87	2101	1.8	2.0	6.8	92	
YBX3-355L2-6	250	455.8	990	95.8	0.87	2388	1.8	2.0	6.8	92	
YBX3-80M1-8	0.18	0.9	670	52.0	0.61	2.3	1.8	1.9	3.3	52	
YBX3-80M2-8	0.25	1.1	670	55.0	0.61	3.2	1.8	1.9	3.3	52	
YBX3-90S-8	0.37	1.4	690	63.0	0.62	4.7	1.8	2	4	56	
YBX3-90L-8	0.55	1.8	690	74.0	0.63	7.0	1.8	2	4	56	
YBX3-100L1-8	0.75	2.3	695	74.0	0.68	9.6	1.8	2	4	59	

YVF2-80 ~ 355系列变频调速三相异步电动机 YVF2-80 ~ 355 Series Frequency Variable Speed Regulation Motors.

概述

Overview

本系列电动机集国内外同类产品优点，调速范围宽，振动小，噪音低。电机采用鼠笼型结构，运行可靠，维护方便，而且安装尺寸和功率等级均符合IEC标准，与相对应的AE2系列电机一致，互换性，通用性强。装有独立的冷却风机，保证电机在不同转速下均有良好的冷却效果。该系列电机在5 (3) ~ 50HZ运行时输出恒转矩，在50 ~ 100HZ运行时输出恒功率。

This engine series adopt advantages of the same type of domestic and foreign motors which is featured by wide range of adjustable speed, low vibration and noise. It has squirrel cage type structure, reliable operation and easy maintenance. Furthermore, the installation dimensions and power output are in accordance with IEC standard, suitable for the corresponding AE2 series motor with high interchangeability and popularity. It is equipped with independent cooling fan, which ensures good cooling efficiency of engine at different rotation speeds. This series of motors has a constant output torque when running at 5 (3) ~ 50HZ and a constant power output when running at 50 ~ 100HZ.

产品使用条件

Conditions of use

额定功率：0.55 ~ 315KW

Rated capacity: 0.55 ~ 315KW

额定电压：380V

Rated voltage: 380V

基准频率: 50HZ

Fundamental frequency: 50HZ

绝缘等级：F

Insulation class: F

防护等级：IP54或IP55

Protection class: IP54 or IP55

环境温度：-15° ~ 40°C

Ambient temperature: -15° ~ 40°C

海拔：不超过1000米

Altitude: maximum 1000 m

接法：55KW 及以下为Y接法，55KW 以上为Δ接法

Connection: 55KW and below are Y connection, 55KW and above are Δ connection



产品技术数据 (380V)

Specifications (380V)

型号 Model	功率 Power (kW)	额定电流 Rated current	额定转矩 Rated torque	恒转矩调频范围 Constant torque frequency adjustment range	恒功率调频范围 Constant power adjustment range
YVF2-80M1-2	0.75	1.83	2.4	3~50	50~60
YVF2-80M2-2	1.1	2.61	3.5		
YVF2-90S-2	1.5	3.46	4.8		
YVF2-90L-2	2.2	4.85	7.0		
YVF2-100L-2	3	6.34	9.5		
YVF2-112M-2	4	8.2	12.7		
YVF2-132S1-2	5.5	11.1	17.5		
YVF2-132S2-2	7.5	14.9	23.9		
YVF2-160M1-2	11	21.2	35.0		
YVF2-160M2-2	15	28.6	47.7		
YVF2-160L-2	18.5	34.7	58.9		
YVF2-180M-2	22	41.0	70.0		
YVF2-200L1-2	30	55.4	95.5		

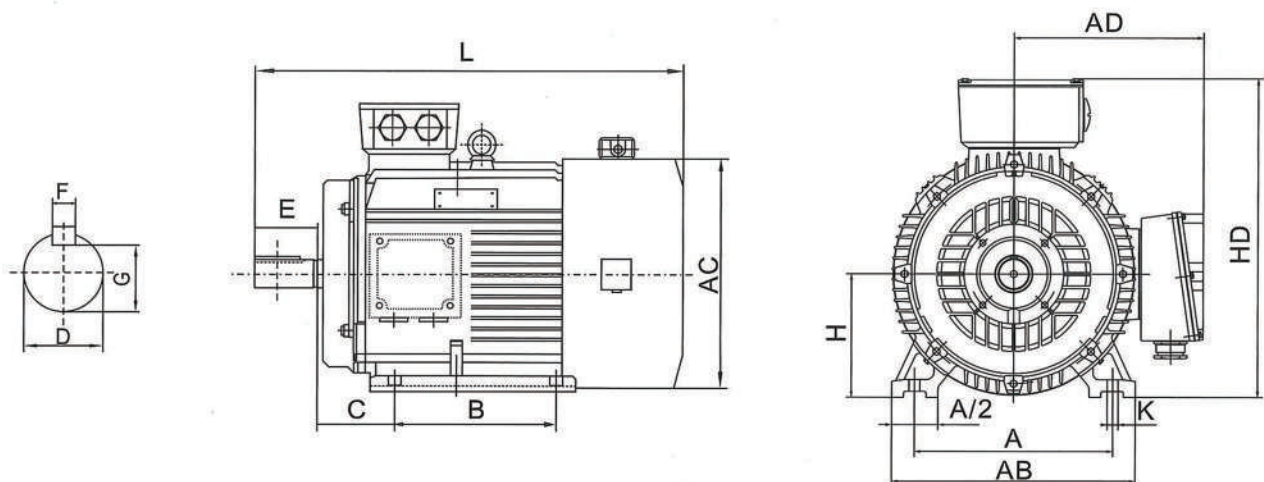


型号 Model	功率 Power (kW)	额定电流 Rated current	额定转矩 Rated torque	恒转矩调频范围 Constant torque frequency adjustment range	恒功率调频范围 Constant power adjustment range
YVF2-200L2-2	37	67.9	117.8	3~50	50~60
YVF2-225M-2	45	82.1	143.2		
YVF2-250M-2	55	99.8	175.1		
YVF2-280S-2	75	135.3	238.7		
YVF2-280M-2	90	160.0	286.5		
YVF2-315S-2	110	195.4	350.1		
YVF2-315M-2	132	233.2	420.2		
YVF2-315L1-2	160	282.4	509.3		
YVF2-315L2-2	200	348.4	636.6		
YVF2-355M1-2	220	381.7	700.3		
YVF2-355M2-2	250	433.7	795.8		
YVF2-355L1-2	280	484.7	891.3		
YVF2-355L2-2	315	545.3	1002.7		
YVF2-80M1-4	0.55	1.6	3.5	5~50	50~100
YVF2-80M2-4	0.75	2	4.8		
YVF2-90S-4	1.1	2.9	7.0		
YVF2-90L-4	1.5	3.7	9.6		
YVF2-100L1-4	2.2	5.2	14.0		
YVF2-100L2-4	3	6.8	19.1		
YVF2-112M-4	4	9.2	25.5		
YVF2-132S-4	5.5	11.8	35.0		
YVF2-132M-4	7.5	15.6	47.8		
YVF2-160M-4	11	22.3	70.0		
YVF2-160L-4	15	30.1	95.5		
YVF2-180M-4	18.5	36.5	117.8		
YVF2-180L-4	22	43.4	140.1		
YVF2-200L-4	30	57.6	191.0		
YVF2-225S-4	37	69.9	235.6		
YVF2-225M-4	45	84.7	286.5		
YVF2-250M-4	55	103	350.2		
YVF2-280S-4	75	140	477.5		
YVF2-280M-4	90	167	573.0		
YVF2-315S-4	110	201	700.3		
YVF2-315M-4	132	241	840.4		
YVF2-315L1-4	160	292	1018.7		
YVF2-315L2-4	200	365	1273.3		
YVF2-355M-4	250	450	1591.7		
YVF2-355L-4	315	545	2005.5		
YVF2-90S-6	0.75	2.3	7.2	5~50	
YVF2-90L-6	1.1	3.2	10.5		
YVF2-100L-6	1.5	3.94	14.3		
YVF2-112M-6	2.2	5.7	21.0		

型号 Model	功率 Power (kW)	额定电流 Rated current	额定转矩 Rated torque	恒转矩调频范围 Constant torque frequency adjustment range	恒功率调频范围 Constant power adjustment range
YVF2-132S-6	3	7.6	28.7	5~50	50~100
YVF2-132M1-6	4	9.6	38.2		
YVF2-132M2-6	5.5	12.8	52.5		
YVF2-160M-6	7.5	17.2	71.6		
YVF2-160L-6	11	24.4	105.1		
YVF2-180L-6	15	31.6	143.3		
YVF2-200L1-6	18.5	37.5	176.7		
YVF2-200L2-6	22	43.8	210.1		
YVF2-225M-6	30	56.8	286.5		
YVF2-250M-6	37	72	353.4		
YVF2-280S-6	45	87.5	429.8		
YVF2-280M-6	55	107.1	525.3		
YVF2-315S-6	75	140	716.3		
YVF2-315M-6	90	166	859.5		
YVF2-315L1-6	110	202	1050.5		
YVF2-315L2-6	132	242	1260.6		
YVF2-355M1-6	160	292	1528.0		
YVF2-355M2-6	200	364	1910.0		
YVF2-355L-6	250	445	2387.5		

外形及安装尺寸
Overall and installation dimension

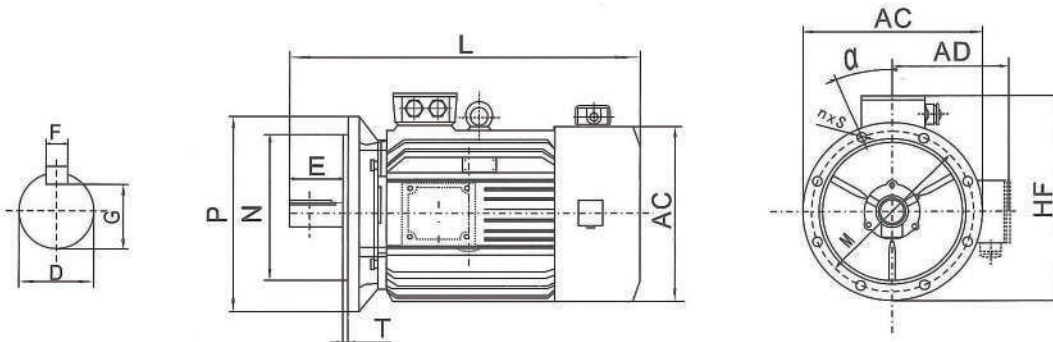
IMB3



IMB3

机座号 Frame No.	极数 Pole No.	安装尺寸 - Installation dimensions									外形尺寸 - Overall dimensions												
		A	B	C	D	E	F	G	H	K	AB	AC	AD	HD	L								
80M	2、4、6	125	100	50	19	40	6	15.5	80	10	165	175	145	220	360								
90S		140		56	24	50	8	20	90		100	180	195	165	260	430							
90L			125	63	28	60						24	112	12	205	215	180	275	500				
100L		160	140				70	80	10	33	132				14.5	230	240	190	300	530			
112M		190		89	38	80	12					37	160	18.5		270	275	210	345	610			
132S			216	108	42	110		14	42.5	180	24				205	215	180	275	500				
132M		254	210				48					140	18	53	250	28	230	240	190	300	530		
160M			254	121	48	140		18	53	250	28						270	275	210	345	610		
160L		279	241				121					48	140	18	53	250	28	205	215	180	275	500	
180M			279	121	48	140		18	53	250	28							230	240	190	300	530	
180L		318	279				121					48	140	18	53	250	28	270	275	210	345	610	
200L			305	133	55	16		49	200	395	420							305	505	895			
225S	4	356	286	149	60	140	18	53	225	18.5	435	470	335	560	905								
225M	2		311		55	110	16	49							250	24	280	24	550	580	410	680	900
	4、6		60		140	18	53	250															24
250M	2	406	349	168					65	140	18	58	250	28	490	510	370	615	990				
	4、6				75	140	18	58	250											24	280	24	550
280S	2	457	368	190	75					140	18	58	280	24	550	580	410	680	1135				
280M	4、6				65	140	18	58	250											28	280	24	550
	2	75	140	18	58					250	28	280	24	550	580	410	680	1185					
315S	2	508				406	216	65	140										18	58	315	28	635
	4、6		80	140	18			58		315	28	635	645	530	845	1265							
315M	2	508	457			216	65		140								18	58	315	28	635	645	530
	4、6			80	140		18	58		315	28	635	645	530	845	1375							
315L	2	508	508	254		65			140								18	58	355	28	730	710	655
	4、6				80	140	18	58		355	28	730	710	655	1010	1375							
355M	2	610	560	254	75				140								20	67.5	355	28	730	710	655
	4、6				95	140	20	67.5		355	28	730	710	655	1010	1590							
355L	2	610	630	254	75				140								20	67.5	355	28	730	710	655
	4、6				95	140	20	67.5		355	28	730	710	655	1010	1590							

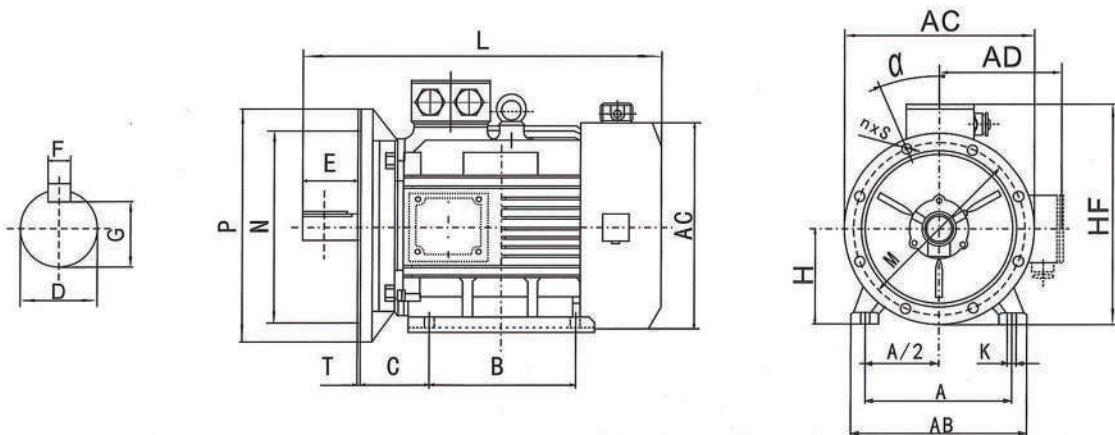
IMB5



IMB5

机座号 Frame No.	凸缘号 Flange No.	极数 Pole No.	安装尺寸 - Installation dimensions										外形尺寸 - Overall dimensions			
			D	E	F	G	M	N	P	S	T	凸缘孔数 Number of holes	AC	AD	HF	L
80M	FF165	2-6	19	40	6	15.5	165	130	200	12	3.5	4	175	145		360
90S			24	50	8	20							195	165		390
90L														460		
100L	FF215		28	60	24	215	180	250	14.5	4	215		180	245	500	
112M											240		190	265	530	
132S	FF265		38	80	10	33	265	230	300	18.5	5		275	210	315	560
132M													610			
160M	FF300		42	110	12	37	300	250	350				330	255	385	710
160L																740
180M			48		14	42.5							380	280	430	770
180L														820		
200L	FF350	55		16	49	350	300	400	420			305	480	855		
225S	FF400	4	60	140	18	53	400	350	450			8	470	335	535	905
225M		2	55	110	16	49							490	900		
		4, 6	60			53							930			
250M	2			18	58	500	450	550	510	370	595		990			
	4, 6	65														
280S	FF500	2		140												1135
		4, 6	75			20	67.5				580		410	650		
2		65			18	58										
4, 6		75			20	67.5									1185	

IMB35





IMB35

机座号 Frame No.	凸缘号 Flange No.	极数 Pole No.	安装尺寸 - Installation dimensions														凸缘孔数 Number of holes										
			A	B	C	D	E	F	G	H	K	M	N	P	S	T											
80M	FF165	2~6	125	100	50	19	40	6	15.5	80	10	165	130	200	12	3.5	4										
90S			140		56	24	50	8	20	90																	
90L				125	63	28	60											24	100								
100L	FF215		160	140				70	10	33	132	12	215	180	250	14.5				4							
112M			190		89	38	80	10										33	132								
132S	FF265		216	178	108	42	110	12	37	160	14.5							300	250		350						
132M			254									210	254	12	37	160											
160M	FF300		2~6	254	210	108	42	110	14	42.5	180	14.5	300	250	350												
160L																279		241	121	48	14	42.5	180				
180M																FF350		318	305	133	55	16	49	200	350	300	400
180L																											
200L	FF400		4	356	286	149	60	140	18	53	225	185	400	350	450	18.5		5									
225S		2	311														60		140	18	53						
225M		4、6	311														60		140	18	53						
250M	FF500	2	406	349	168	65	140	18	58	250	24	500	450	550	24	6	8										
280S		4、6																457	190	75	140	20	67.5	280			
		2																							419	65	75
280M		4、6																419	65	75	18	58	20	67.5			
315S	FF600	2	508	406	216	65	170	22	71	315	28	600	550	660	24	6											
315M		4、6															508	216	65	140	18	58	315	28	600	550	660
	2	508	65	140	18	58																					
	4、6						80	170	22	71																	
	315L	2	508	65	140	18					58																
355M	4、6	610					254	75	140	20		67.5	355	740	680	800	24	6									
	2		560	95	170	25					86																
	4、6																		630	75	140	20	67.5				
	355L		2	630	95	170					25													86			
4、6	630	95	170				25	86																			

注：IMB35外形尺寸 AB、AC、AD、HD、L 同 IMB3。

与变频电机配套的部件参数
Specification of components

电机 Engine		80	90	100	112	132	160	180	200	225	250	280	315	355
	功率 Power (W)	35	40	52	60	80	80	80	120	230	320	320	1100	2200
冷却风机 - Airfan	电压 Voltage	三相 3-phase 380V												
光电编码器 Photoelectric device		增量型编码器 (根据用户要求安装) - Sequential Numbering Machine (supplied according to user's request)												

Y2EJ-80 225系列电磁制动三相异步电动机 Y2EJ-80 225 series electromagnetic brake asynchronous motor

概述

Overview

Y2EJ系列电磁制动三相异步电动机是新型的全封闭自扇冷式笼型电动机，带有直流电磁制动器。该系列电机具有结构简单、安装维护方便、制动迅速、振动小、噪音低、寿命长等特点。适用于起重设备的卷扬行车、电动阀门、金属切削机械、木工机械、纺织机械、橡胶机械、印刷机械、锻压机械、减速机械及各种类型机床的主传动和辅助传动等需要快速、准确停车的各种机械中

Y2EJ series electromagnetic brake asynchronous motor is a type of completely enclosed fan-cooled squirrel-cage motor with DC electromagnetic brake. This engine series has advantages such as simple construction, easy installation and maintenance, fast braking speed, low vibration, low noise and long service life. It is suitable for hoisting cranes, electric valve, machine tool, woodworker machinery, textile machinery, rubber processing machine, printing machinery, forging machine and other machinery which their primary and secondary drives require a fast and precise braking such as reducer and other machine tools.

产品使用条件

Conditions of use

额定功率：0.55 ~ 45KW

Rated capacity: 0.55 ~ 45KW

额定电压：380V

Rated voltage: 380V

基准频率：50HZ

Fundamental frequency: 50HZ

防护等级：IP54或IP55

Protection class: IP54 or IP55

环境温度：-15° ~ 40°C

Ambient temperature: -15° ~ 40°C

海拔高度：不超过1000

Altitude: not higher than 1000 meters above sea level

励磁电压：H100及以下为直流99V H112以上为直流170V

Excitation voltage: H100: DC 99V, H112: DC 170V



机座号与转速及功率的对应关系

Correlation between frame number, speed and power output

机座号 Frame No.	同步转速 Synchronous rotation speed			
	3000	1500	1000	750
	功率 Power (kW)			
Y2EJ80 ₁ 2	0.75	0.55		
	1.1	0.75		
Y2EJ90S	1.5	1.1	0.75	
Y2EJ90L	2.2	1.5	1.1	
Y2EJ100L ₁ 2	3	2.2	1.5	
		3		
Y2EJ112M	4	4	2.2	
Y2EJ132S ₁ 2	5.5	5.5	3	2.2
	7.5			

机座号 Frame No.	同步转速 Synchronous rotation speed			
	3000	1500	1000	750
	功率 Power (kW)			
Y2EJ132M ₁ 2		7.5	4	3
			5.5	
Y2EJ160M ₁ 2	11	11	7.5	4
	15			5.5
Y2EJ160L	18.5	15	11	7.5
Y2EJ180M	22	18.5		
Y2EJ180L		22	15	11
Y2EJ200L ₁ 2	30	30	18.5	15
	37		22	
Y2EJ225S		37		18.5
Y2EJ225M	45	45	30	22

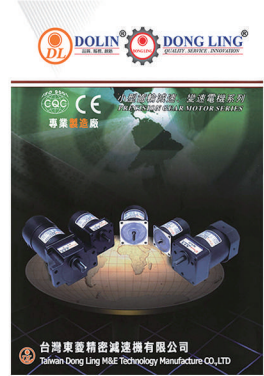
Y2EJ-80 225系列电磁制动电动机的外形及安装尺寸·同LAM2系列电动机的外形及安装尺寸·仅电动机整机长度有所加长·如下表：
 Overall dimensions and installation dimensions of the Y2EJ-80 225 series electromagnetic brake motor are as same as those of LAM2 series, except that the length of the motor is increased, as shown below:

机座号 Frame No.	极数 Pole No.	机座长度L (mm) Chassis length L (mm)
Y2EJ80	2、4	390
Y2EJ90S	2、4、6	420
Y2EJ90L		445
Y2EJ100L		480
Y2EJ112M		510
Y2EJ132S	2、4、6、8	585
Y2EJ132M		625

机座号 Frame No.	极数 Pole No.	机座长度L (mm) Chassis length L (mm)
Y2EJ160M	2、4、6、8	720
Y2EJ160L		765
Y2EJ180M		825
Y2EJ180L		875
Y2EJ200L		900
Y2EJ225S	4、8	1000
Y2EJ225M	2	1000
	4、6、8	1030

制动器技术数据 Brake specifications

电机型号 Engine	制动器型号 Brake	额定力矩 Rated torque	励磁功率 Excitation capacity	工作气隙 Running clearance	励磁电压 Excitation voltage
Y2EJ80	SDZ1- 08	7.5	40	0.3	99
Y2EJ90	SDZ1- 15	15	50	0.4	
Y2EJ100L	SDZ1- 30	30	65	0.4	
Y2EJ112M	SDZ1- 40	40	70	0.5	170
Y2EJ132	SDZ1- 80	75	95	0.5	
Y2EJ160	SDZ1- 150	150	110	0.6	
Y2EJ180	SDZ1- 200	200	150	0.6	
Y2EJ200L	SDZ1- 300	300	200	0.7	
Y2EJ225	SDZ1- 450	450	200	0.7	



台灣東菱集團公司

TAIWAN DONG LING M&E TECHNOLOGY MANUFACTURE CO.,LTD

台灣總公司
東菱精密減速機有限公司
 地址：台灣省台中市豐原區鑣村路605巷25號
 TAX: 61900138
 TEL: +886.4.25381758 25365291
 FAX: +886.4.25367525
 Sky: chen0302
 Email: sales@dolin-tech.com
 Website: www.dolin-tech.com

越南分公司
越南東菱責任有限公司
平陽分公司
 地址：平陽省，順安鎮，順交坊，平順2，T15/2A
 TAX: 3702238714
 TEL: +84.274.377.5395
 Email: dolinsales01@gmail.com
 Website: www.dolin.org.vn - www.dongling.com.vn

海防分公司
 地址：海防市，鴻邦區，雄王坊，5新路，129胡同，5A號
 TAX: 3702238714
 TEL: +84.912.644.326
 Zalo: 0912644326
 Email: dolinsales09@gmail.com

河內分公司
 地址：河內市，龍編區，石馨坊，玉持3街道318胡同34號
 TAX: 3702238714
 TEL: +84.912.644.326
 Zalo: 0912644326
 Email: dolinsales09@gmail.com

TAIWAN HEADQUARTERS
Dong Ling M&E Technology Manufacture Co.Ltd
 No 25, Lane 605, Liancun Rd, Fongyuan District,
 Taichung City 420, Taiwan
 TAX: 61900138
 TEL: +886.4.25381758 -25365291
 FAX: +886.4.25367525
 Sky: chen0302
 Email: sales@dolin-tech.com
 Website: www.dolin-tech.com

VIET NAM BRANCH COMPANY
Cong Ty TNHH MTV Thuong Mai Dich Vu Dong Ling
 Address: T15/2A, Binh Thuan 2 Quarter, Thuan Giao Ward, Thuan An Town,
 Binh Duong Province, Viet Nam.
 TAX: 3702238714
 TEL: 0274.377.5395
 Email: dolinsales01@gmail.com
 Website: www.dolin.org.vn - www.dongling.com.vn

HAI PHONG BRANCH
 Address: 5A, 129 lane, 5 Moi Street ,Hung Vuong Ward, Hong Bang District,
 Hai Phong, Viet Nam.
 TAX: 3702238714
 TEL: 0912.644.326
 Zalo: 0912644326
 Email: dolinsales09@gmail.com

HANOI REPRESENTATIVE OFFICE
 Address: 34, 318 lane, Ngoc Tri Street ,Thach Ban Ward, Long Bien District,
 Ha Noi, Viet Nam.
 TAX: 3702238714
 TEL: 0912.644.326
 Zalo: 0912644326
 Email: dolinsales09@gmail.com